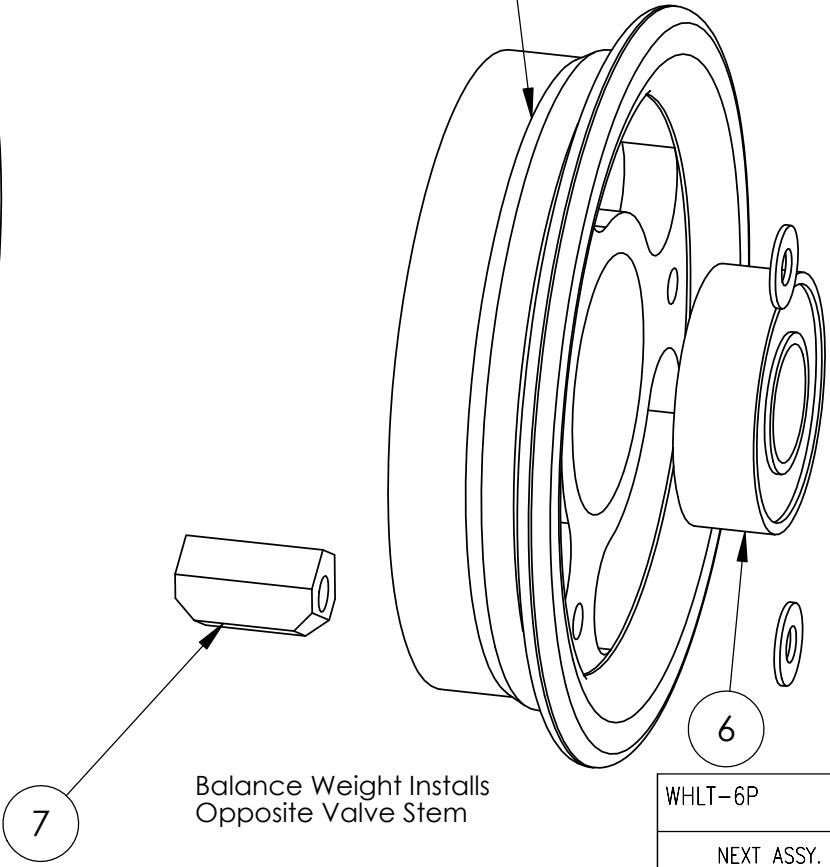
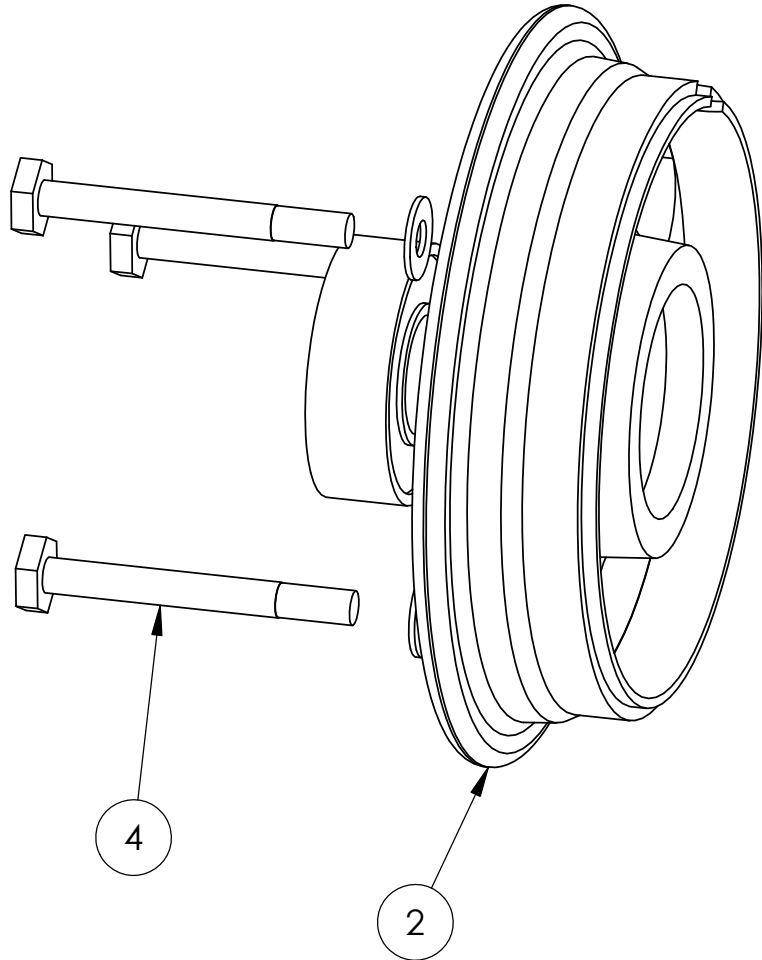
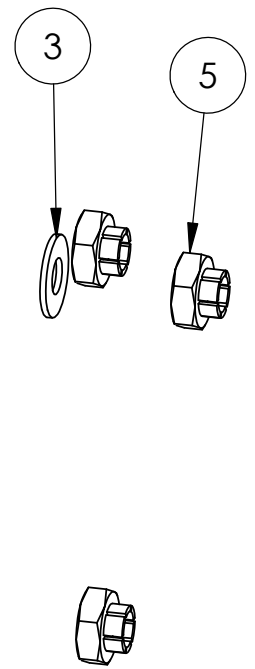
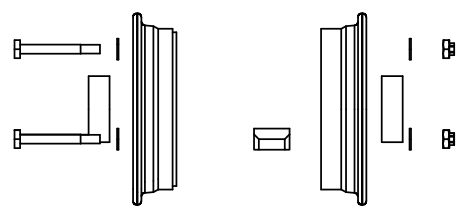


ITEM #	Part Number	Description	QTY.
1	WHLW35/.625	WHEL HALF, TAIL VALVE	1
2	WHLTW35/.625	WHEEL HALF, TAIL BACK	1
3	MSCAN960-10L	WASHER, THIN	6
4	MSCAN3-15A	BOLT, HEX	3
5	MSCMS21045-3	NUT, FLEX LOCK	3
6	MSC1623DCTN	Bearing, Ball 0.625	2
7	TW35WGT	WEIGHT, BALANCE	1



Balance Weight Installs Opposite Valve Stem



WHLT-6P	WHLT-6P	1
NEXT ASSY.	USED ON	QTY
APPLICATION		

**MATCO mfg**



2361 S. 1560 West  
Woods Cross, Utah 84087 USA

NOMENCLATURE  
WHEEL, TAIL 3.5"

PART NUMBER  
WHLTW35

SCALE  
1:1

TOLERANCES  
(EXCEPT AS NOTED)  
DO NOT SCALE DRAWING  
LINEAR .XX = + .03  
.XXX = + .01  
ANGULAR ± 1/2  
CONCENTRIC ± .01

MATERIAL  
VARIES

DRAWING NO.  
TAIL/TW35

REVISION  
A Est Wt. (lb)  
0.88

DRAWN BY  
George R. Happ

FINISH  
None

DATE  
3/16/2006

CHECKED BY

SHEET 1 OF 1  
SHEET SIZE A