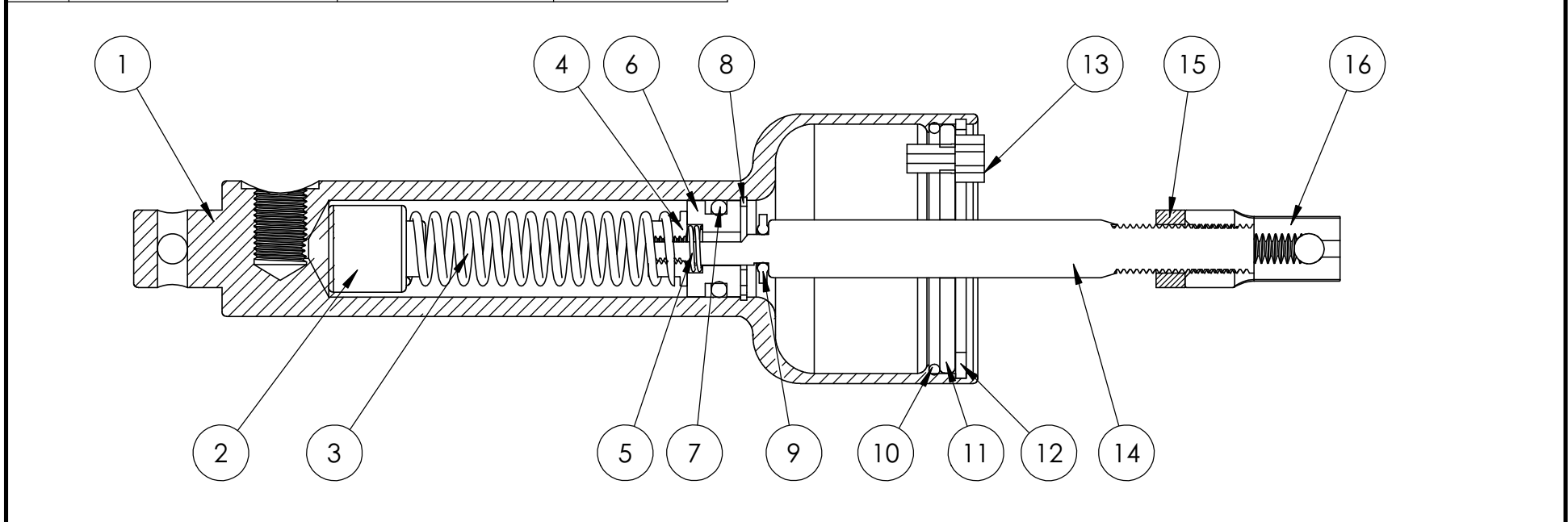
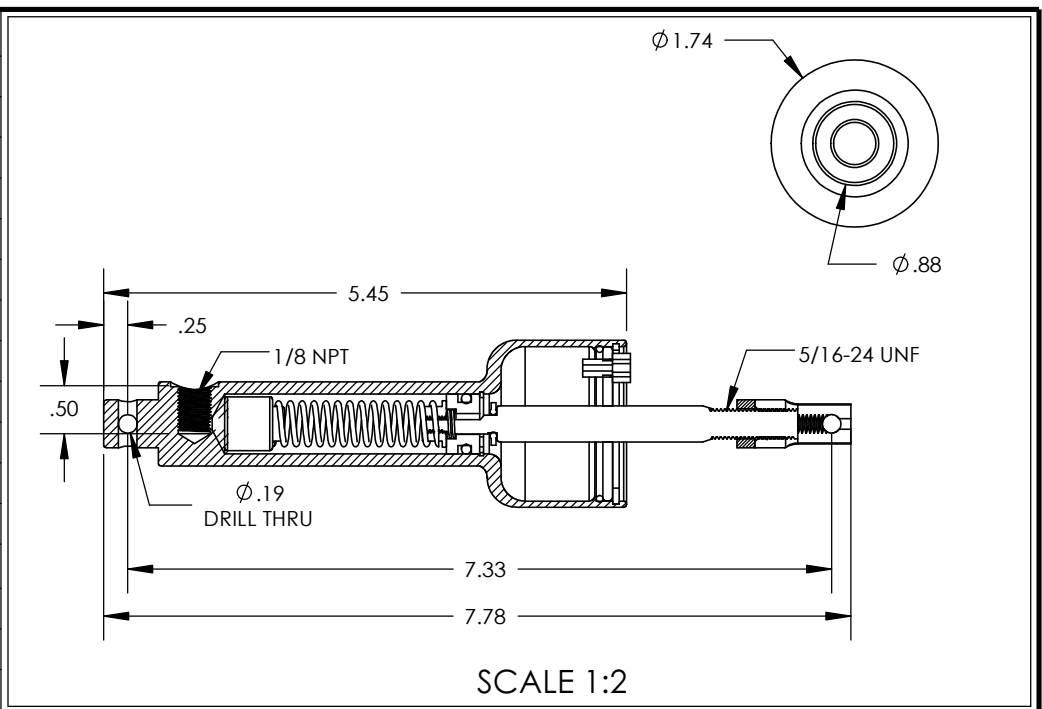



ITEM #	Part Number	Description	MC-5A/QTY.
1	MC5H(A)	HOUSING, MC-5	1
2	MC-18	PEDESTAL	1
3	MSCC0480-055-2500M	SPRING, 2.5 INCH	1
4	MC-16	SPRING GUIDE	1
5	MSCC0300-026-0440M	SPRING, VALVE	1
6	MCP.625(B)	PISTON	1
7	MSC2-111	O-RING, BUNA -N	1
8	MSC1308.625	SNAP RING	1
9	MSC600-0101-10	SEAL, STAT-O	1
10	MSC2-029	O-RING, BUNA -N	1
11	MC5-5	RESERVOIR CAP	1
12	MSC3000-X156	SNAP RING	1
13	MSC10-24X.31SHCS	SCREW, SOCKET HEAD NYLON VENTED	1
14	MC4A-1	SHAFT	1
15	MSC.31-24JAMNUT	JAM NUT	1
16	MC-17	CLEVIS	1



<b>MATCO mfg</b> 2361 S. 1560 West Woods Cross, Utah 84087 USA 	NOMENCLATURE MC-5A		PART NUMBER MC-5A INSTALLATION		SCALE 1:1	TOLERANCES (EXCEPT AS NOTED) DO NOT SCALE DRAWING LINEAR .XX = + .03 .XXX = + .01 ANGULAR + 1/2 CONCENTRIC + .01
	MATERIAL VARIES		DRAWING NO. MC-5A INSTALLATION		REVISION NC	
DRAWN BY Sally Christensen	FINISH VARIES	DATE 10/1/2021	CHECKED BY	SHEET 1 OF 1 SHEET SIZE A		