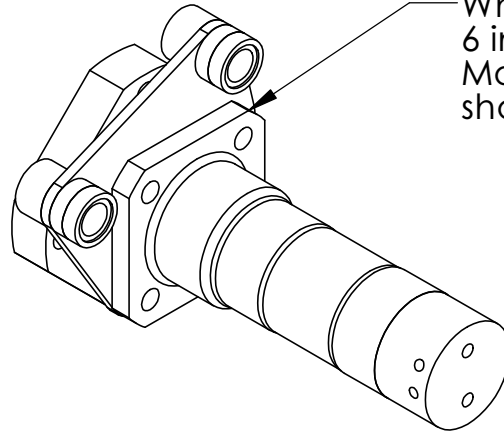


When installing MHE6B1.25Z with tire width 6 inch or less no disc spacer is required. Mount brake plate on outer side of attach flange as shown

For MHE6Z, INSTALL 2 AN4-15A IN AXLE HOLES COVERED BY BRAKE PLATE

For MHE51Z, INSTALL 2 AN4-16AIN AXLE HOLES COVERED BY BRAKE PLATE



When installing MHE6B1.25Z with tire that is wider than 6 inch, the 0.375 MHESLJ disc spacer is required. Mount brake plate on inner side of attach flange as shown

NEXT ASSY.	USED ON	QTY
APPLICATION		

MATCO mfg



2361 S. 1560 West
Woods Cross, Utah 84087 USA

NOMENCLATURE
ASSEMBLY, AXLE A3Z

MATERIAL
VARIES

PART NUMBER
A3Z BP INSTALL

DRAWING NO.
AXLE/A3Z INSTALL

REVISION
NC

SCALE
1:2

Est Wt. (lb)
1.36

TOLERANCES
(EXCEPT AS NOTED)

DO NOT SCALE DRAWING
LINEAR .XX = + .03
.XXX = + .01
ANGULAR + 1/2
CONCENTRIC + .01

DRAWN BY
George R. Happ

FINISH

DATE
11/12/2013

CHECKED BY

SHEET 1 OF 1
SHEET SIZE A