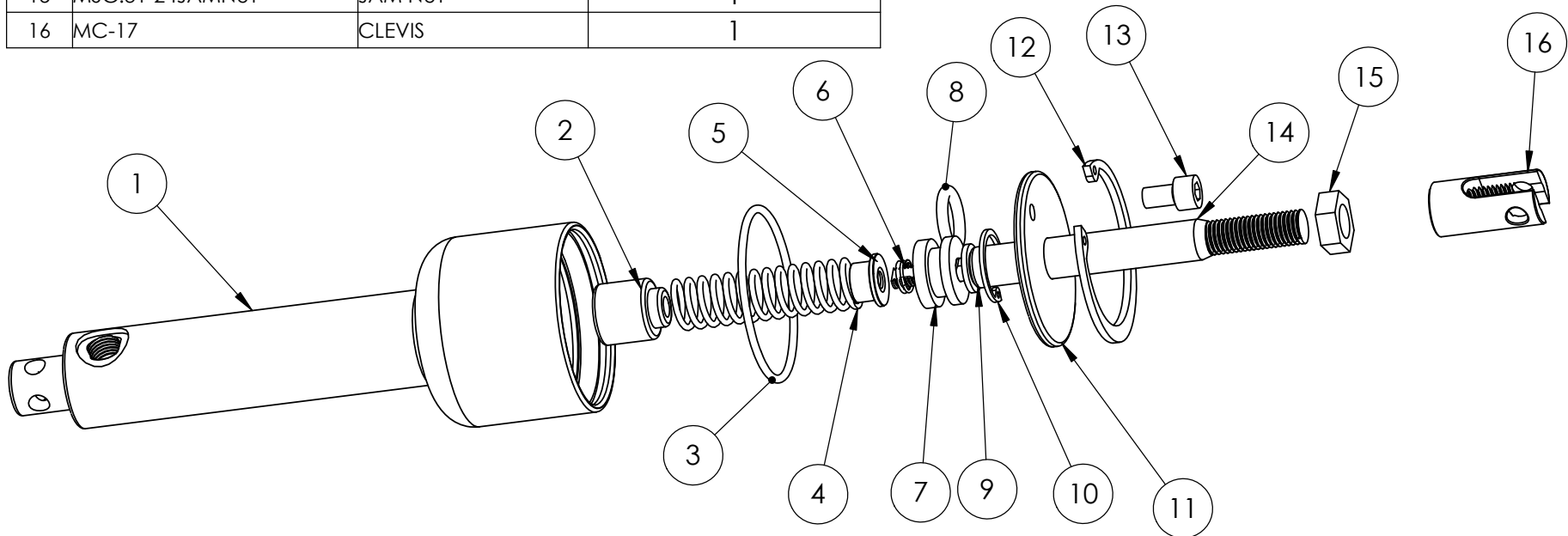


ITEM #	Part Number	Description	MC-5A WHOLE VIEW/QTY.
1	MC5H(A)	HOUSING, MC-5	1
2	MC-18	PEDESTAL	1
3	MSC2-029	O-RING, BUNA -N	1
4	MSCC0480-055-2500M	SPRING, 2.5 INCH	1
5	MC-16	SPRING GUIDE	1
6	MSCC0300-026-0440M	SPRING, VALVE	1
7	MCP.625(B)	PISTON	1
8	MSC2-111	O-RING, BUNA -N	1
9	MSC600-0101-10	SEAL, STAT-O	1
10	MSC1308.625	SNAP RING	1
11	MC5-5	RESERVOIR CAP	1
12	MSC3000-X156	SNAP RING	1
13	MSC10-24X.31SHCS	SCREW, SOCKET HEAD NYLON VENTED	1
14	MC4A-1	SHAFT	1
15	MSC.31-24JAMNUT	JAM NUT	1
16	MC-17	CLEVIS	1



MATCO mfg



2361 S. 1560 West
Woods Cross, Utah 84087 USA

NOMENCLATURE
MC-5A

MATERIAL
VARIES

PART NUMBER
MC-5A INSTALLATION

DRAWING NO.
MASTER/3D-MC-5A

SCALE
1:1.5

REVISION
NC Est Wt. (lb)
0.37

TOLERANCES
(EXCEPT AS NOTED)

DO NOT SCALE DRAWING
LINEAR .XX = + .03
.XXX = + .01
ANGULAR ± 1/2
CONCENTRIC ± .01

DRAWN BY
G Happ

FINISH
VARIES

DATE
2/1/2022

CHECKED BY

SHEET 1 OF 1
SHEET SIZE A