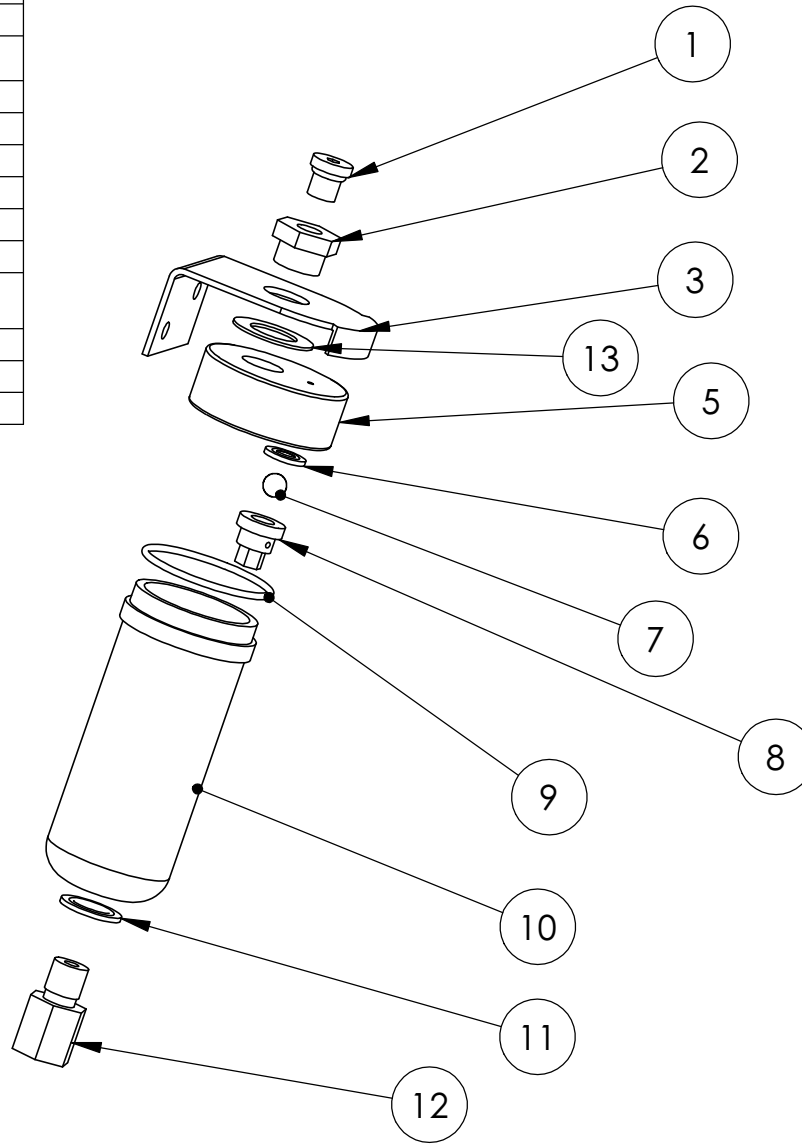


ITEM #	Part Number	Description	QTY.
1	MSC2P50NS	PLUG, R-100	1
2	MCR-004	FITTING, ADAPTER RESERVOIR	1
3	MCR-005	BRACKET, MOUNTING	1
5	MCR-001A	CAP, RESERVOIR	1
6	MSC600-0101-10	SEAL, STAT-O	1
7	MSC.25BB	BEARING, SS BALL 0.25	1
8	MCR-003	VALVE, VENT	1
9	MSC2-027	O-RING, BUNA -N	1
10	MC8722-40L	BOWL, POLYCARBONATE	1
11	MSC600-0101-.375	SEAL, STAT-O	1
12	MSCF40HG5(A)	FITTING, ADAPTER	1
13	MSCAN960-816L	WASHER, AN960	1



MATCO mfg



2361 S 1560 West
Woods Cross, UT 84087 USA

NOMENCLATURE
RESERVOIR, REMOTE TRAP VENTED CAP

MATERIAL
VARIES

PART NUMBER
MCR-100A

DRAWING NO.
MASTER/3D-MCR-100A

SCALE
1:2

REVISION
NC

Est Wt. (lb)
0.257

TOLERANCES
(EXCEPT AS NOTED)
DO NOT SCALE DRAWING
LINEAR .XX = + .03
.XXX = + .01
ANGULAR + 1/2
CONCENTRIC + .01

DRAWN BY
George R. Happ

FINISH

DATE
11/2/2012

CHECKED BY

SHEET 1 OF 1
SHEET SIZE A