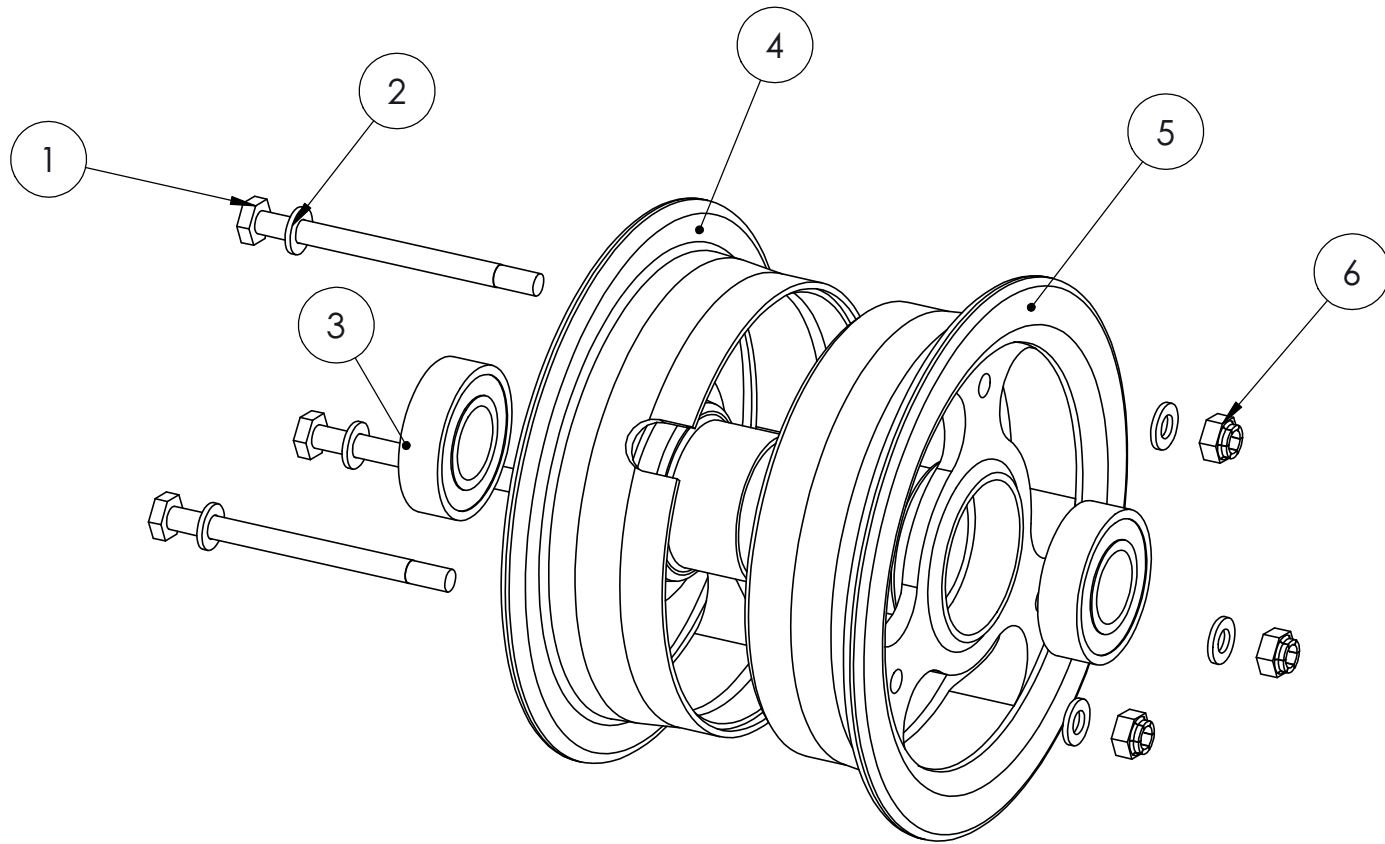


ITEM #	Part Number	Description	QTY.
1	MSCAN4-32A	BOLT, HEX	3
2	MSCAN960-416	WASHER, AN960	6
3	MSC6004DCTN	bearing, 20mm	2
4	WHLW51/20MM	WHEEL HALF, LW NOSE VALVE	1
5	WHLTW51/20MM	WHEEL HALF, LW NOSE BACK	1
6	MSCAN363-428	NUT, LOCKING AN363	3



**MATCO mfg**



550W 3615 South  
Salt Lake City, Utah 84115 USA

NOMENCLATURE  
WHEEL, 5" TW 20MM

MATERIAL  
VARIES

PART NUMBER  
WHLTW5120MM

DRAWING NO.  
TAIL/TW5120MM Assembly

REVISION  
NC

SCALE  
1:2

Est Wt. (lb)  
2.18

TOLERANCES  
(EXCEPT AS NOTED)

DO NOT SCALE DRAWING  
LINEAR .XX = + .03  
.XXX = + .01  
ANGULAR + 1/2  
CONCENTRIC + .01

DRAWN BY  
George R. Happ

FINISH

DATE  
5/14/2015

CHECKED BY

SHEET 1 OF 1  
SHEET SIZE A