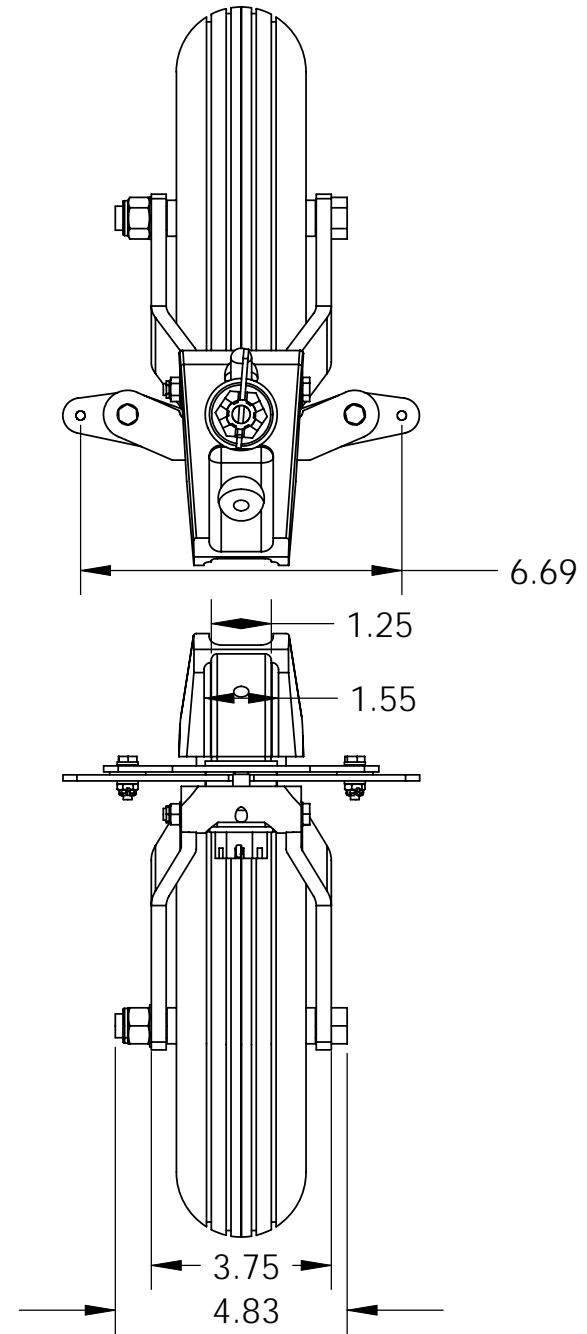
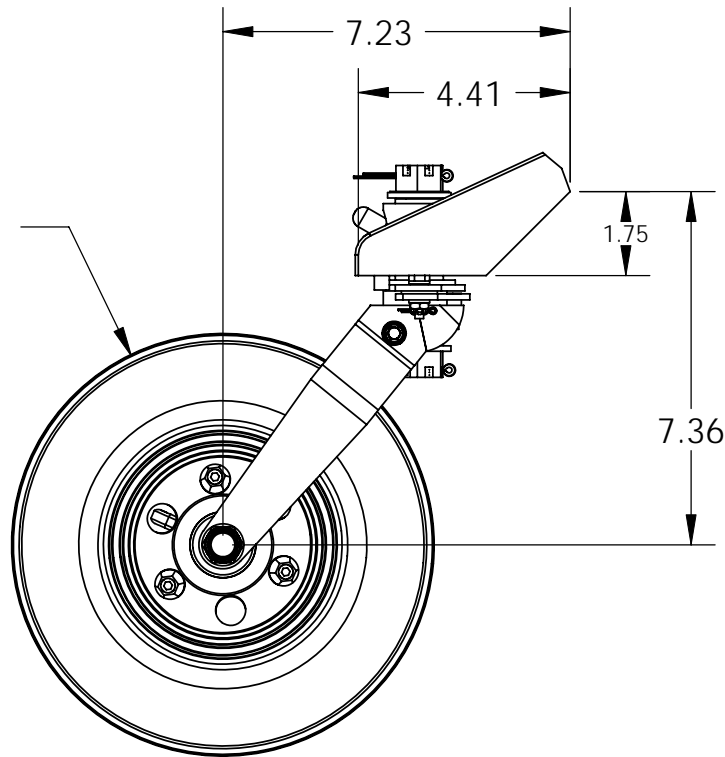


Ø 8.73  
Approximate Tire  
Diameter



**MATCO mfg**



2361 S 1560 West  
Woods Cross, UT 84087 USA

NOMENCLATURE  
TAILWHEEL, 8" Dual Fork

MATERIAL  
VARIES

PART NUMBER  
WHLT-8D

DRAWING NO.  
TAIL/T-8D INSTAL

SCALE  
1:4

REVISION  
NC Est Wt. (lb)  
6.50

TOLERANCES  
(EXCEPT AS NOTED)

DO NOT SCALE DRAWING  
LINEAR .XX = + .03  
.XXX = + .01  
ANGULAR ± 1/2  
CONCENTRIC ± .01

DRAWN BY  
George R. Happ

FINISH

DATE  
3/8/2011

CHECKED BY

SHEET 1 OF 1  
SHEET SIZE A