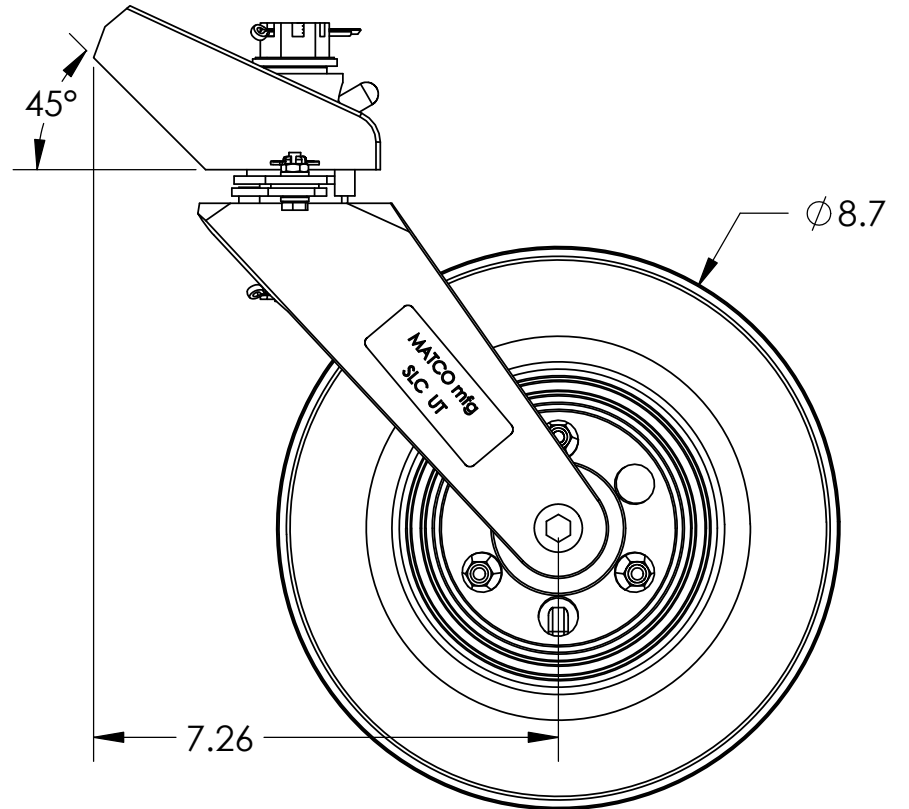
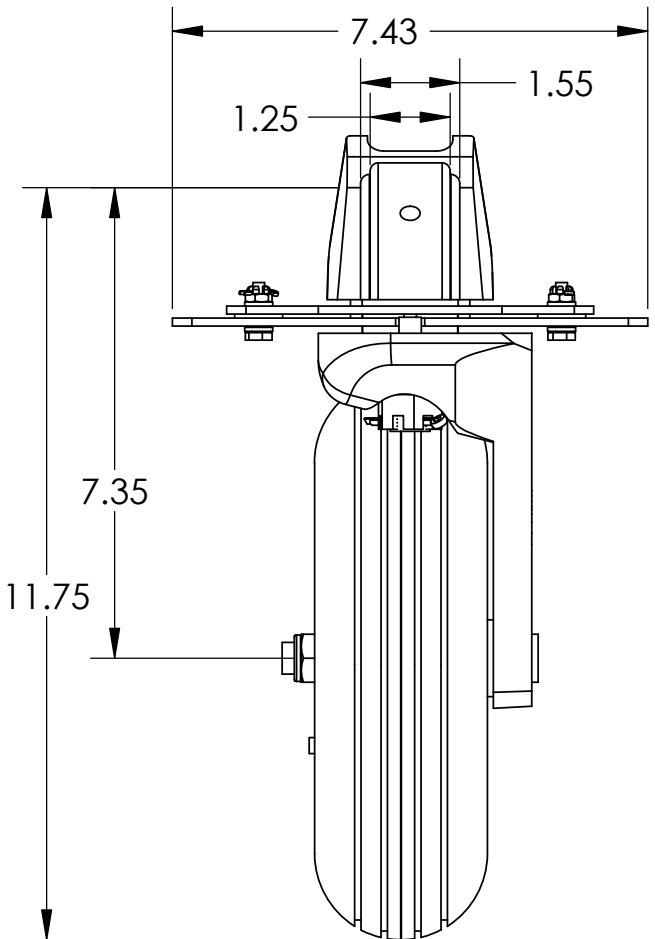
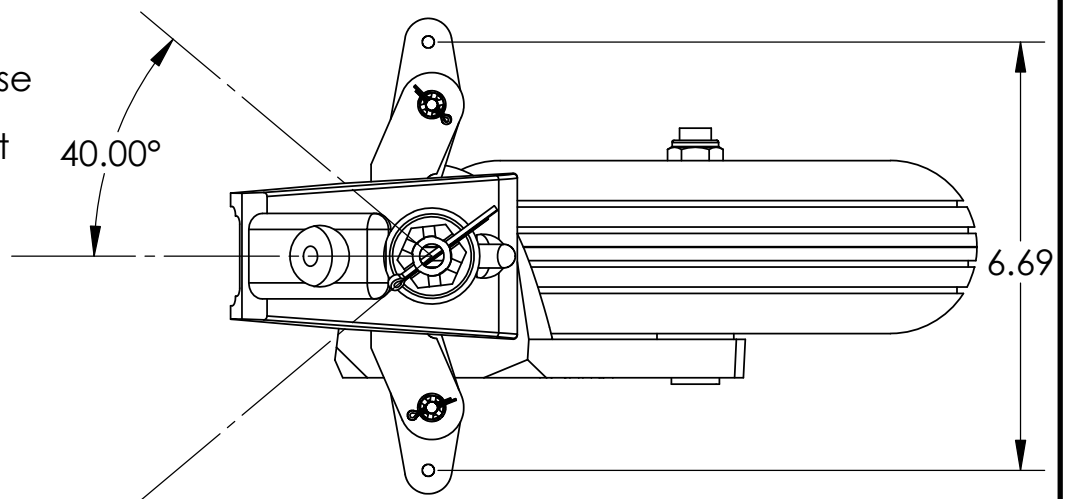



Release Pin Engage at 35 deg. Full Release at 40 deg.
 Alternate Arm Available for Full Release at 25 deg.
 Default attach hole 0.312. May open to 0.563



MATCO mfg 550W 3615 South Salt Lake City, Utah 84115 USA		 NOMENCLATURE TAIL WHEEL, 8" PNEUMATIC		PART NUMBER WHLT-8		SCALE 1:3		TOLERANCES (EXCEPT AS NOTED)	
DRAWN BY George R. Happ		MATERIAL VARIOUS		DRAWING NO. TAIL/T-8 INSTALL		REVISION NC		Est Wt. (lb) 6.92	
FINISH VARIES		DATE 3/21/2006		CHECKED BY		SHEET 1 OF 1		DO NOT SCALE DRAWING LINEAR .XX = + .03 .XXX = + .01 ANGULAR ± 1/2 CONCENTRIC ± .01	
				SHEET SIZE A					