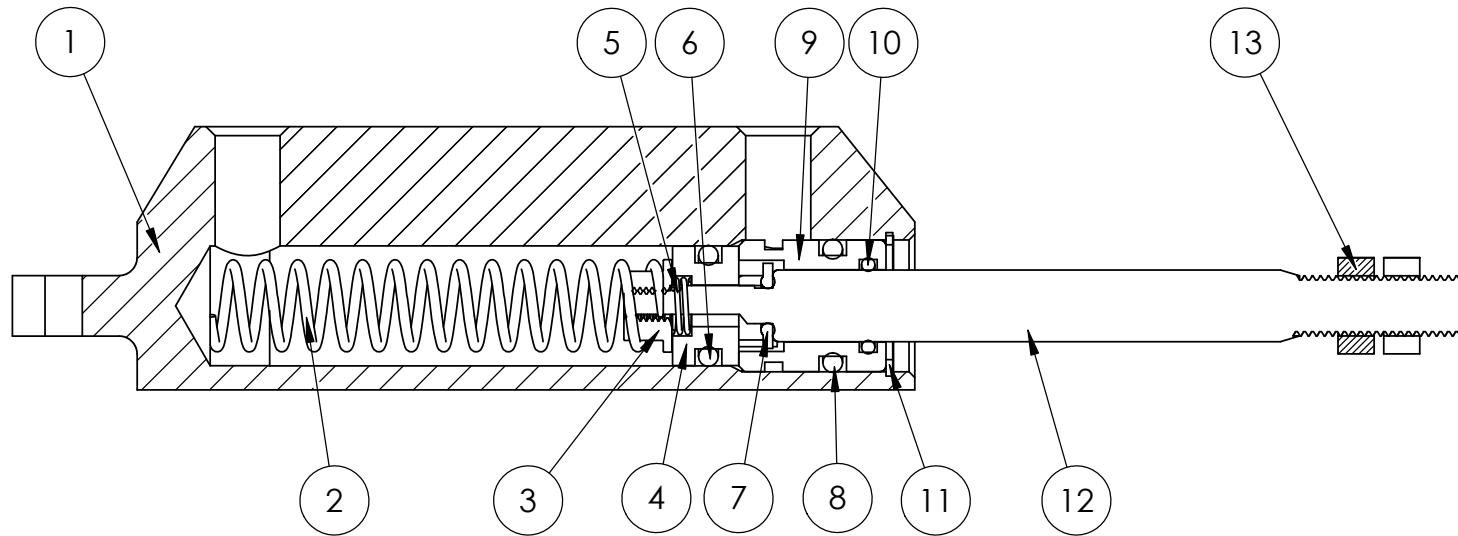
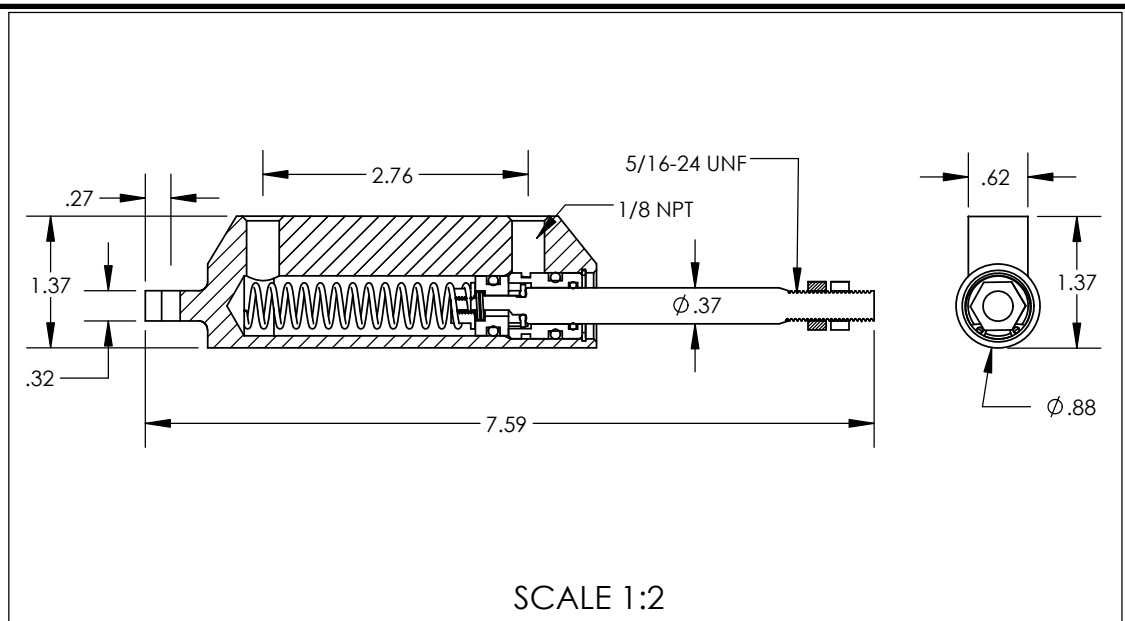


| ITEM # | Part Number        | Description     | MC4(RNS) HALF VIEW/MC4(RNS)/QTY. |
|--------|--------------------|-----------------|----------------------------------|
| 1      | MC4H(RNS)          | HOUSING         | 1                                |
| 2      | MSCC0480-055-3000M | SPRING, 3 INCH  | 1                                |
| 3      | MC-16              | SPRING GUIDE    | 1                                |
| 4      | MCP.625(B)         | PISTON          | 1                                |
| 5      | MSCC0300-026-0440M | SPRING, VALVE   | 1                                |
| 6      | MSC2-111           | O-RING, BUNA -N | 1                                |
| 7      | MSC600-0101-10     | SEAL, STAT-O    | 1                                |
| 8      | MSC2-112           | O-RING, BUNA -N | 1                                |
| 9      | MC4-2              | END GLAND       | 1                                |
| 10     | MSC2-012           | O-RING BUNA N   | 1                                |
| 11     | MSC3000-X68        | SNAP RING       | 1                                |
| 12     | MC4-1              | SHAFT           | 1                                |
| 13     | MSC.31-24JAMNUT    | JAM NUT         | 2                                |



**MATCO mfg**



2361 S. 1560 West  
Woods Cross, Utah 84087 USA

NOMENCLATURE  
MASTER/MC-4RNS

MATERIAL  
VARIES

PART NUMBER  
MC-4RNS

DRAWING NO.  
MASTER/INST-MC-4

SCALE  
1:1

REVISION  
NC Est Wt. (lb)  
0.40

TOLERANCES  
(EXCEPT AS NOTED)  
DO NOT SCALE DRAWING  
LINEAR .XX =  $\pm$  .03  
.XXX =  $\pm$  .01  
ANGULAR  $\pm$  1/2  
CONCENTRIC  $\pm$  .01

DRAWN BY  
Sally Christensen

FINISH  
VARIES

DATE  
9/21/2021

CHECKED BY

SHEET 1 OF 1  
SHEET SIZE A