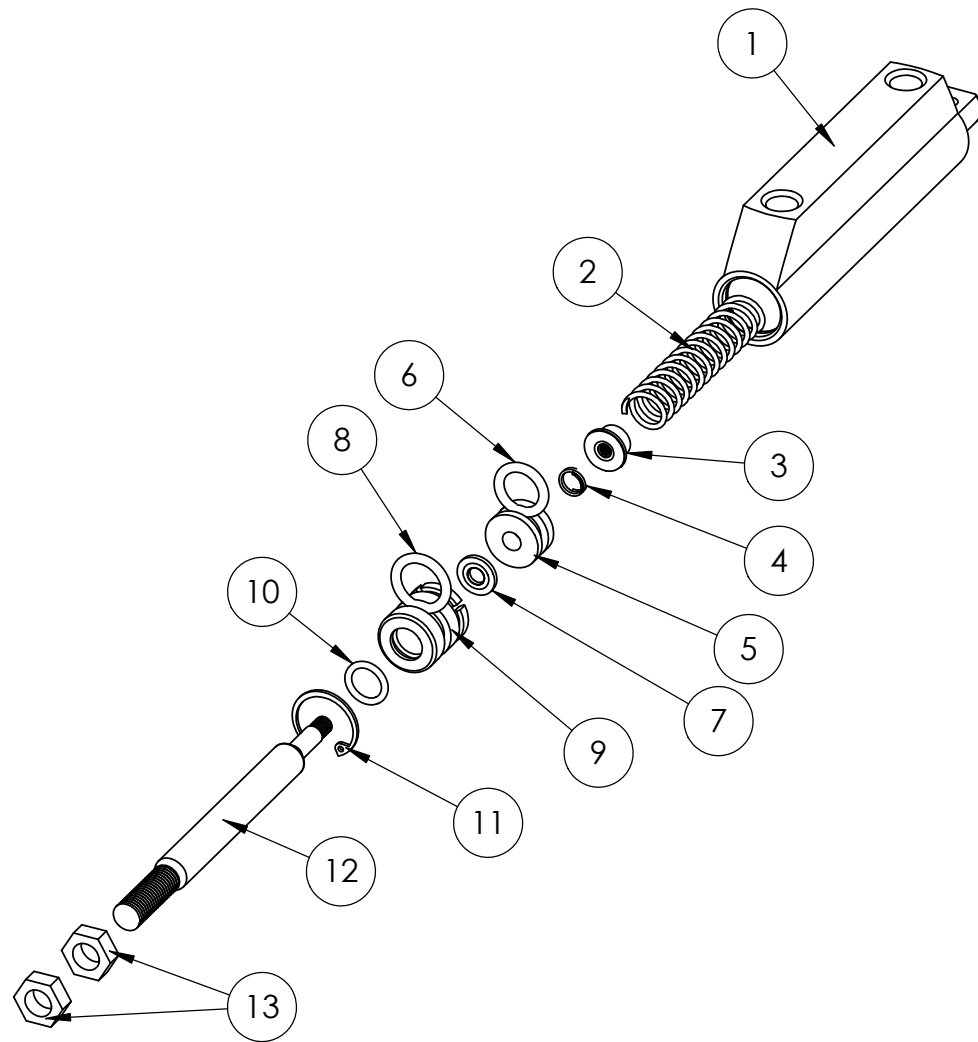


ITEM #	Part Number	Description	MC4(RNS)/QTY.
1	MC4H(RNS)	HOUSING	1
2	MSCC0480-055-3000M	SPRING, 3 INCH	1
3	MC-16	SPRING GUIDE	1
4	MSCC0300-026-0440M	SPRING, VALVE	1
5	MCP.625(B)	PISTON	1
6	MSC2-111	O-RING, BUNA -N	1
7	MSC600-0101-10	SEAL, STAT-O	1
8	MSC2-112	O-RING, BUNA -N	1
9	MC4-2	END GLAND	1
10	MSC2-012	O-RING BUNA N	1
11	MSC3000-X68	SNAP RING	1
12	MC4-1	SHAFT	1
13	MSC.31-24JAMNUT	JAM NUT	2



MATCO mfg



2361 S. 1560 West
Woods Cross, Utah 84087 USA

NOMENCLATURE
MASTER, MC-4RNS

MATERIAL
VARIES

PART NUMBER
MC-4RNS

DRAWING NO.
MASTER/3D-MC-4RNS

CHECKED BY

SCALE
1:2

REVISION
NC

Est Wt. (lb)
0.41

TOLERANCES
(EXCEPT AS NOTED)

DO NOT SCALE DRAWING
LINEAR .XX = + .03
.XXX = + .01
ANGULAR ± 1/2
CONCENTRIC ± .01

DRAWN BY
Sally Christensen

FINISH
VARIES

DATE
9/20/2021

SHEET 1 OF 1
SHEET SIZE A