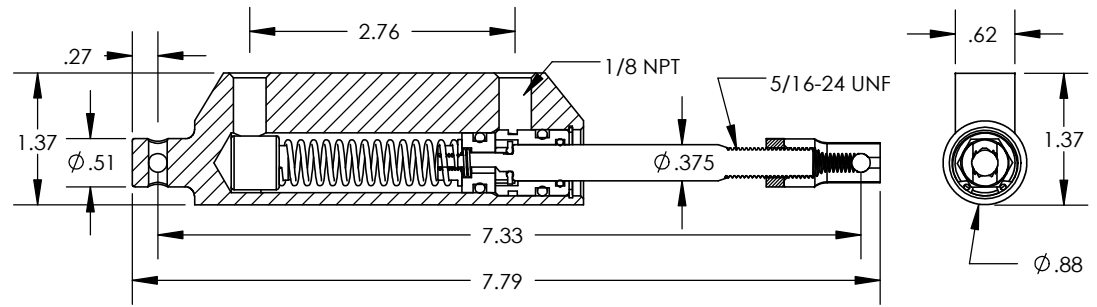
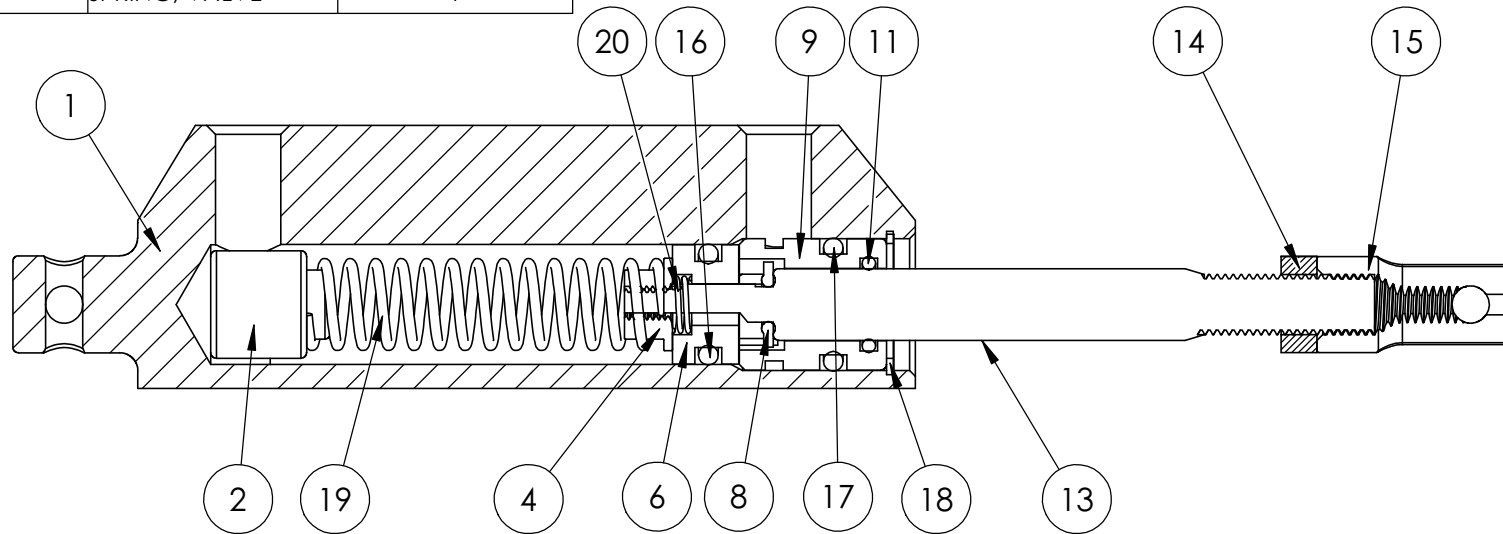


ITEM #	Part Number	Description	MC4(A)QTY.
1	MC4H(A)	HOUSING	1
2	MC-18	PEDESTAL	1
4	MC-16	SPRING GUIDE	1
6	MCP.625(B)	PISTON	1
8	MSC600-0101-10	SEAL, STAT-O	1
9	MC4-2	END GLAND	1
11	MSC2-012	O-RING BUNA N	1
13	MC4A-1	SHAFT	1
14	MSC.31-24JAMNUT	JAM NUT	1
15	MC-17	CLEVIS	1
16	MSC2-111	O-RING, BUNA -N	1
17	MSC2-112	O-RING, BUNA -N	1
18	MSC3000-X68	SNAP RING	1
19	MSCC0480-055-2500M	SPRING, 2.5 INCH	1
20	MSCC0300-026-0440M	SPRING, VALVE	1



SCALE 1:2



MATCO mfg



2361 S. 1560 West
Woods Cross, Utah 84087 USA

NOMENCLATURE
MASTER, MC-4A

MATERIAL
VARIES

PART NUMBER
MC-4A

DRAWING NO.
MASTER/INST-MC-4A

SCALE
1:1

REVISION
NC

Est Wt. (lb)
0.40

TOLERANCES
(EXCEPT AS NOTED)

DO NOT SCALE DRAWING
LINEAR .XX = + .03
.XXX = + .01
ANGULAR + 1/2
CONCENTRIC + .01

DRAWN BY
Sally Christensen

FINISH
VARIES

DATE
9/21/2021

CHECKED BY

SHEET 1 OF 1
SHEET SIZE A