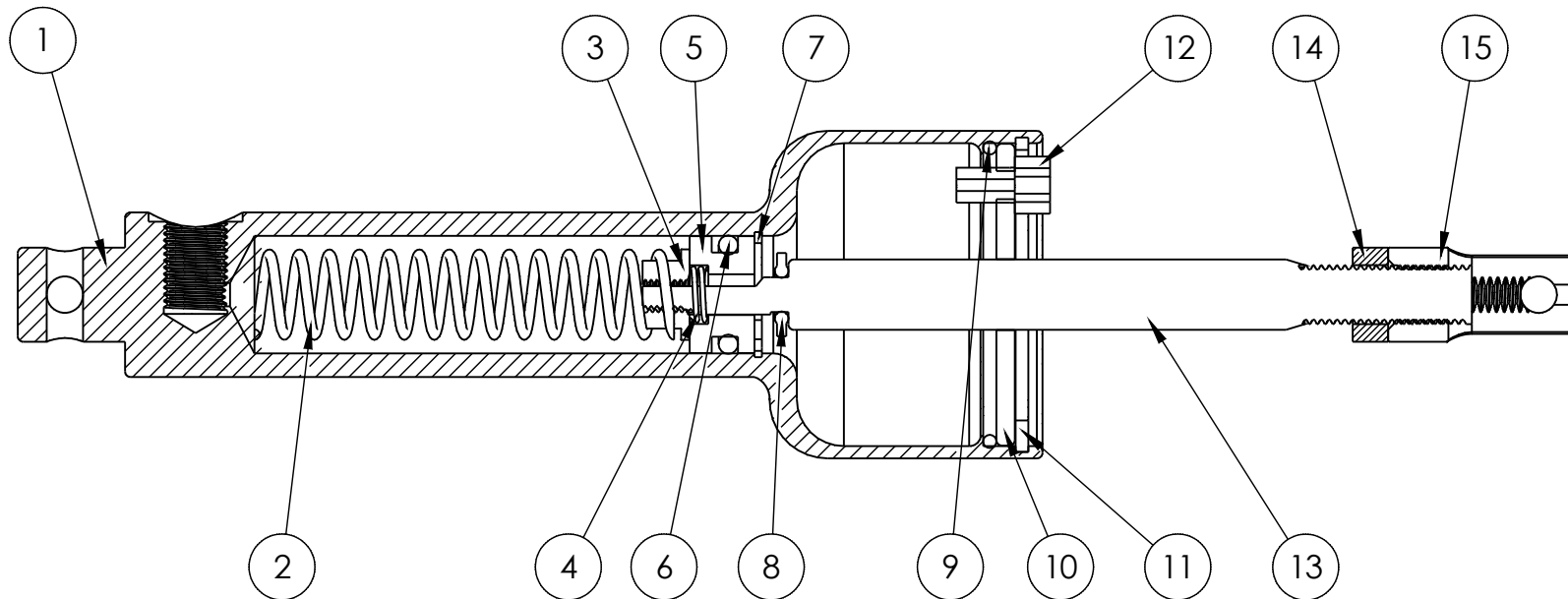
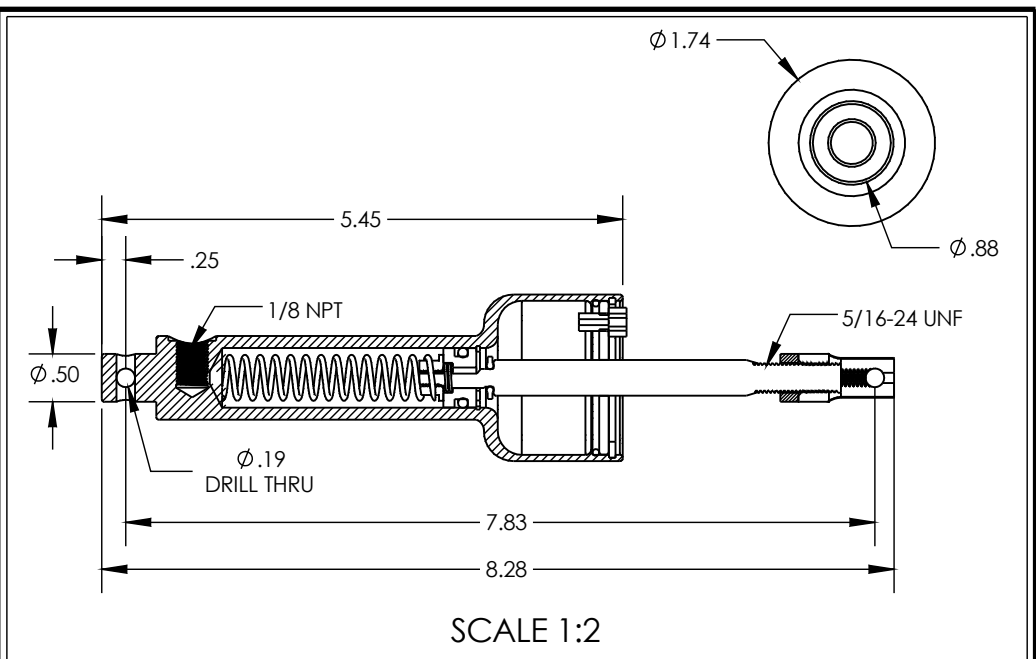


ITEM #	Part Number	Description	MC-5/QTY.
1	MC5H(A)	HOUSING, MC-5	1
2	MSCC0480-055-3000M	SPRING, 3 INCH	1
3	MC-16	SPRING GUIDE	1
4	MSCC0300-026-0440M	SPRING, VALVE	1
5	MCP.625(B)	PISTON	1
6	MSC2-111	O-RING, BUNA -N	1
7	MSC1308.625	SNAP RING	1
8	MSC600-0101-10	SEAL, STAT-O	1
9	MSC2-029	O-RING, BUNA -N	1
10	MC5-5	RESERVOIR CAP	1
11	MSC3000-X156	SNAP RING	1
12	MSC10-24X.31SHCS	SCREW, SOCKET HEAD NYLON VENTED	1
13	MC4-1	SHAFT	1
14	MSC.31-24JAMNUT	JAM NUT	1
15	MC-17	CLEVIS	1



MATCO mfg



2361 S. 1560 West
Woods Cross, Utah 84087 USA

NOMENCLATURE
MC-5

MATERIAL
VARIES

PART NUMBER
MC-5 INSTALLATION

DRAWING NO.
MC-5 INSTALLATION

SCALE
1:1

REVISION
NC Est Wt. (lb)
0.20

TOLERANCES
(EXCEPT AS NOTED)
DO NOT SCALE DRAWING
LINEAR .XX = + .03
.XXX = + .01
ANGULAR + 1/2
CONCENTRIC + .01

DRAWN BY
Sally Christensen

FINISH
VARIES

DATE
10/1/2021

CHECKED BY

SHEET 1 OF 1
SHEET SIZE A