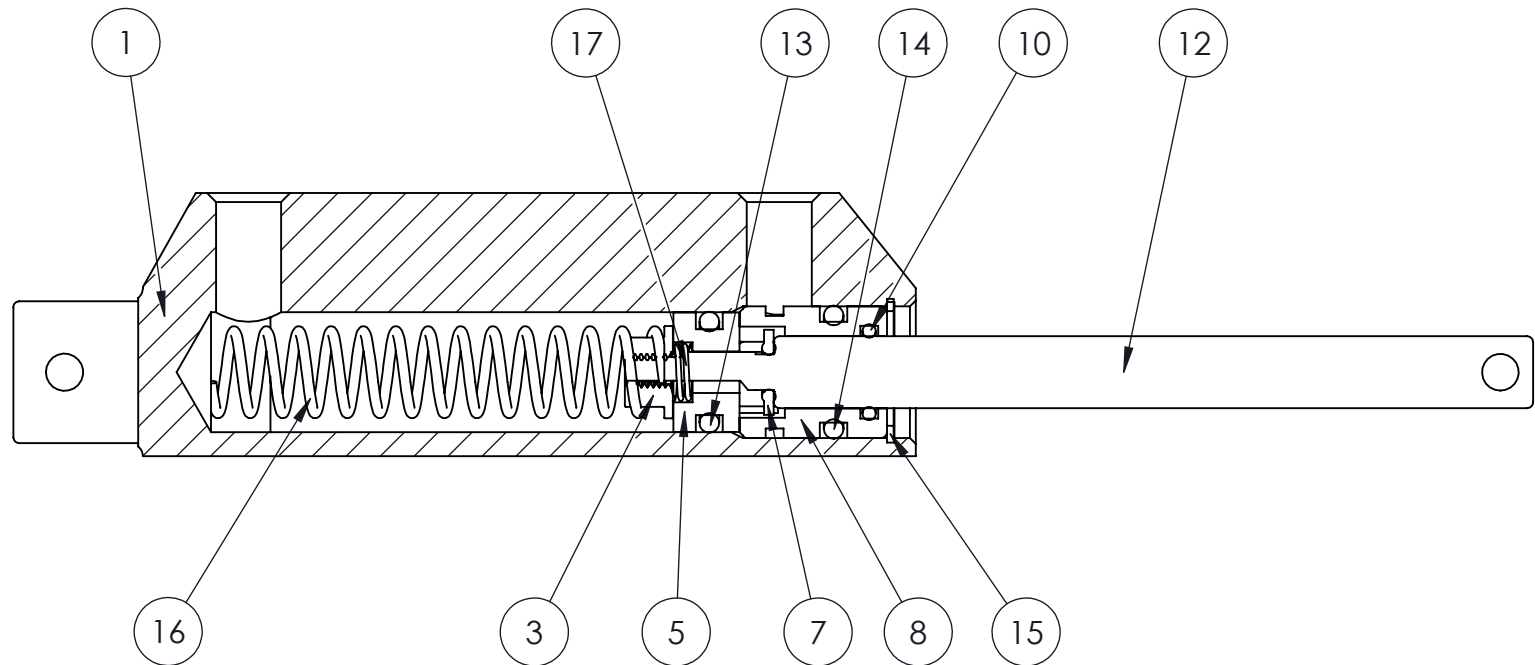
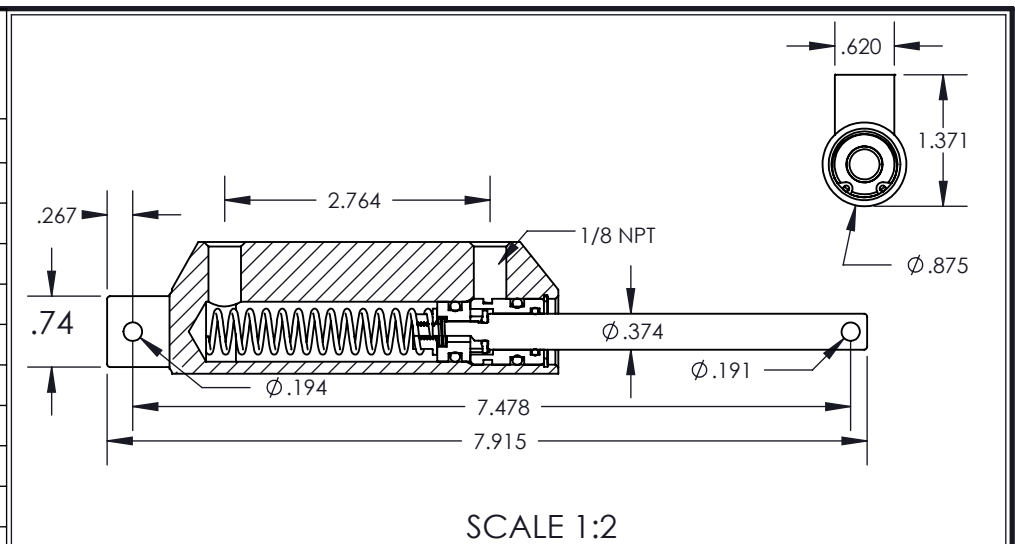


ITEM #	Part Number	Description	MC4(F_S) HALF VIEW/MC4(F_S) /QTY.
1	MC4HF(S)	HOUSING, SLOTTED	1
3	MC-16	SPRING GUIDE	1
5	MCP.625(B)	PISTON	1
13	MSC2-111	O-RING, BUNA -N	1
7	MSC600-0101-10	SEAL, STAT-O	1
8	MC4-2	END GLAND	1
14	MSC2-112	O-RING, BUNA -N	1
10	MSC2-012	O-RING BUNA N	1
12	MC4F-1	Shaft	1
15	MSC3000-X68	SNAP RING	1
16	MSCC0480-055-3000M	SPRING, 3 INCH	1
17	MSCC0300-026-0440M	SPRING, VALVE	1



MATCO mfg

2361 S. 1560 West
Woods Cross, Utah 84087 USA



NOMENCLATURE
MASTER/MC-4F(S)

MATERIAL
VARIES

PART NUMBER
MC-4F(S)

DRAWING NO.
MASTER/MC-4F(S)

SCALE
1:1

REVISION
NC Est Wt. (lb)
0.42

TOLERANCES
(EXCEPT AS NOTED)

DO NOT SCALE DRAWING
LINEAR .XX = + .03
.XXX = + .01
ANGULAR + 1/2
CONCENTRIC ± .01

DRAWN BY
Sally Christensen

FINISH
VARIES

DATE
9/21/2021

CHECKED BY

SHEET 1 OF 1
SHEET SIZE A