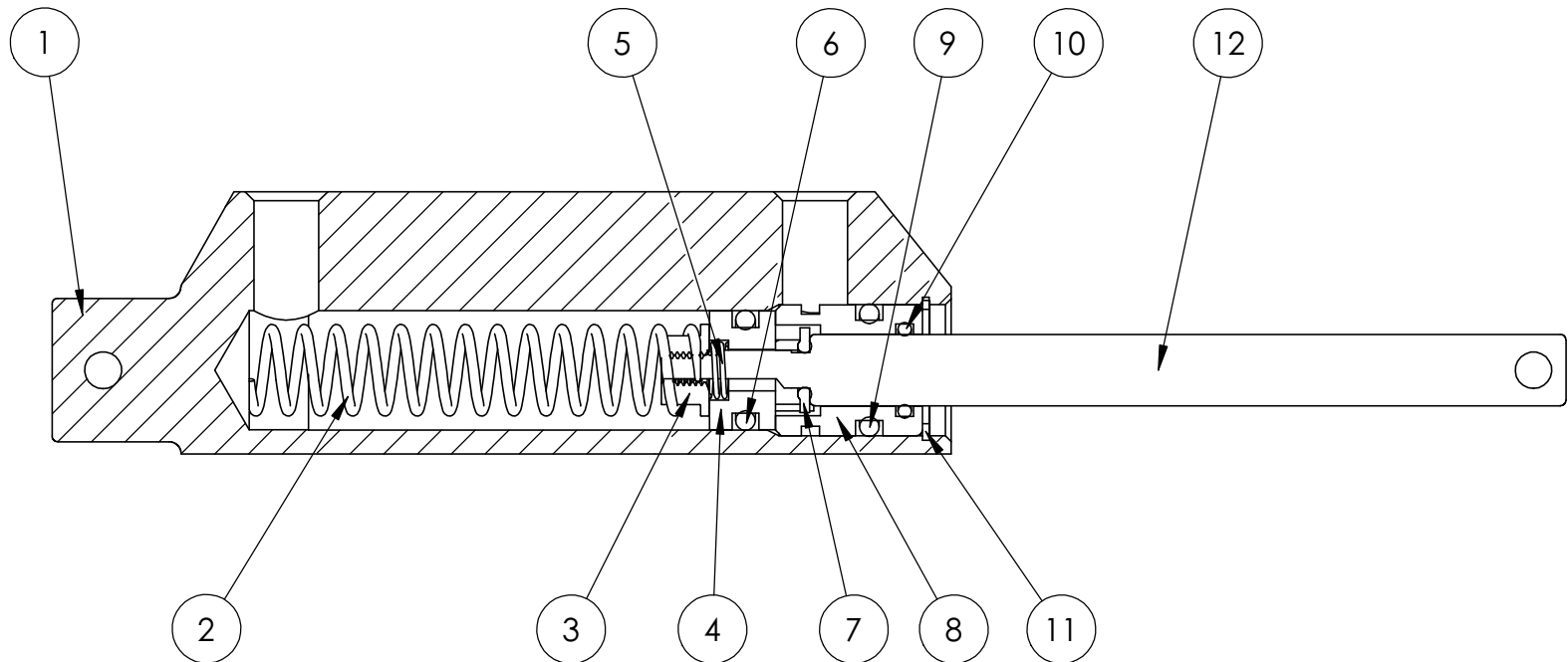
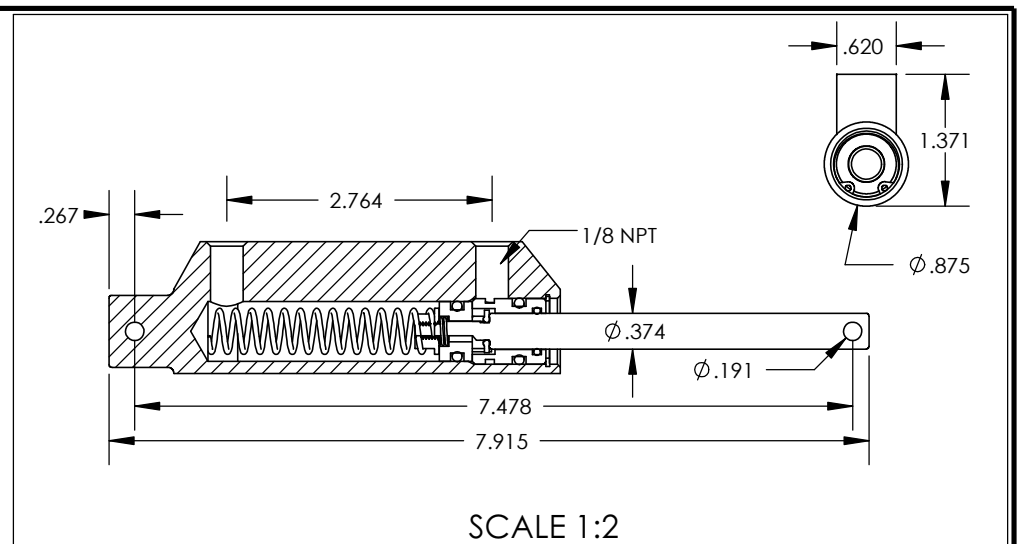


ITEM #	Part Number	Description	MC4(F_L) WHOLE VIEW/QTY.
1	MC4HF(L)	HOUSING, LEFT	1
2	MSCC0480-055-3000M	SPRING, 3 INCH	1
3	MC-16	SPRING GUIDE	1
4	MCP.625(B)	PISTON	1
5	MSCC0300-026-0440M	SPRING, VALVE	1
6	MSC2-111	O-RING, BUNA -N	1
7	MSC600-0101-10	SEAL, STAT-O	1
8	MC4-2	END GLAND	1
9	MSC2-112	O-RING, BUNA -N	1
10	MSC2-012	O-RING BUNA N	1
11	MSC3000-X68	SNAP RING	1
12	MC4F-1	Shaft	1



**MATCO mfg**

2361 S. 1560 West  
Woods Cross, Utah 84087 USA



NOMENCLATURE  
MASTER/MC-4F(L)

MATERIAL  
VARIES

PART NUMBER  
MC-4F(L)

DRAWING NO.  
MASTER/MC-4F(L)

SCALE  
1:1

REVISION  
NC

Est Wt. (lb)  
0.22

TOLERANCES  
(EXCEPT AS NOTED)

DO NOT SCALE DRAWING  
LINEAR .XX = + .03  
.XXX = + .01  
ANGULAR + 1/2  
CONCENTRIC + .01

DRAWN BY  
Sally Christensen

FINISH  
VARIES

DATE  
9/21/2021

CHECKED BY

SHEET 1 OF 1  
SHEET SIZE A