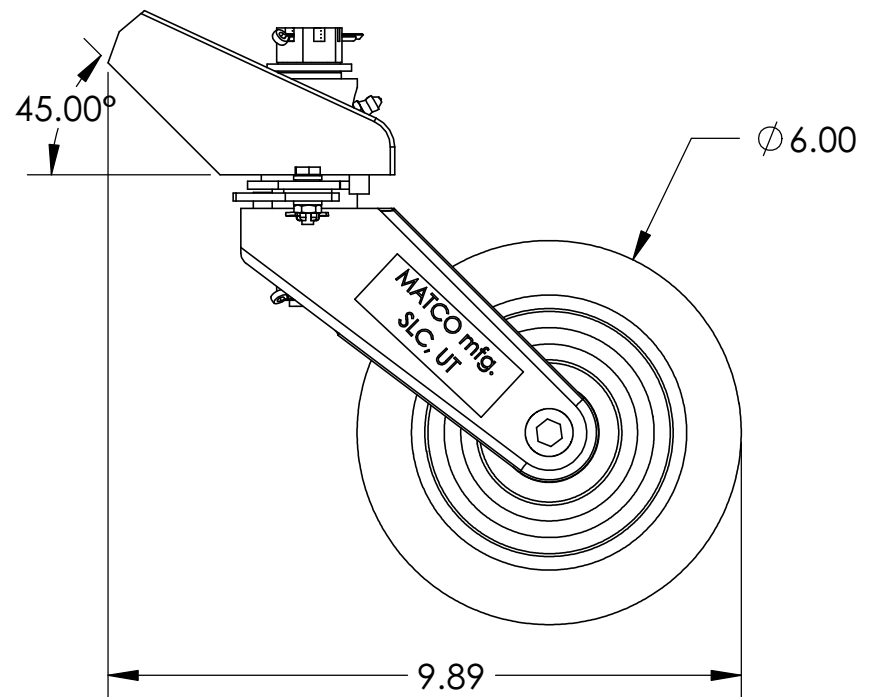
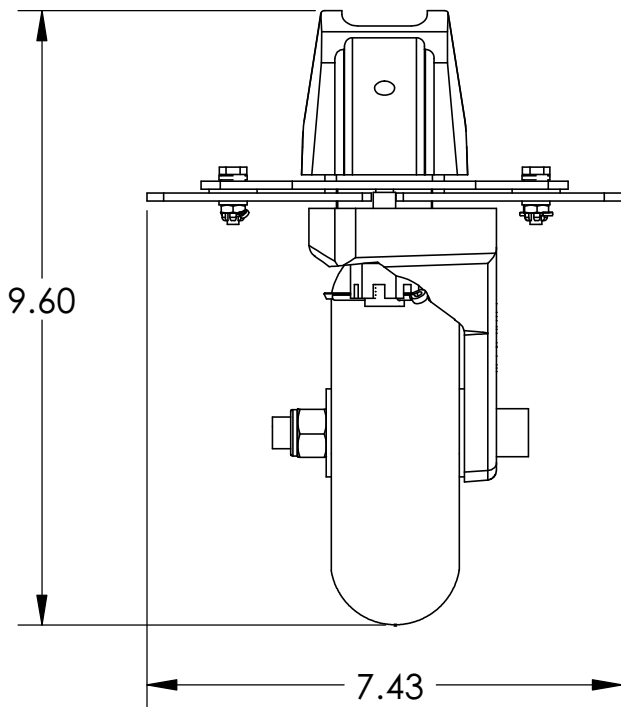
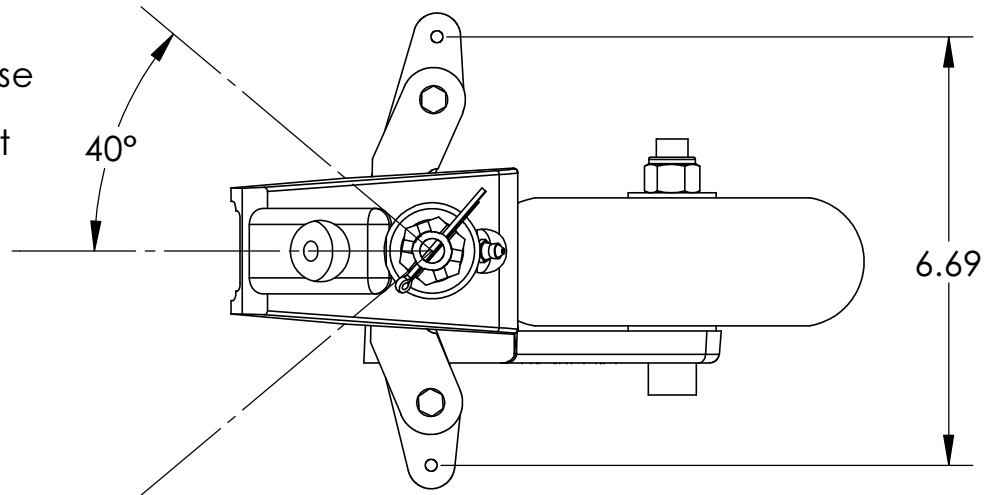


Release Pin Engage at 35 deg. Full Release at 40 deg.
 Alternate Arm Available for Full Release at 25 deg.



MATCO mfg



550W 3615 South
 Salt Lake City, Utah 84115 USA

NOMENCLATURE
 TAIL WHEEL, 6" SOLID

MATERIAL
 VARIOUS

PART NUMBER
 WHLT-6

DRAWING NO.
 TAIL/T-6 INSTALL

SCALE
 1:3

REVISION
 NC

Est Wt. (lb)
 4.90

TOLERANCES
 (EXCEPT AS NOTED)

DO NOT SCALE DRAWING
 LINEAR .XX = + .03
 .XXX = + .01
 ANGULAR + 1/2
 CONCENTRIC + .01

DRAWN BY
 George R. Happ

FINISH
 VARIES

DATE
 4/2/2020

CHECKED BY

SHEET 1 OF 1
 SHEET SIZE A