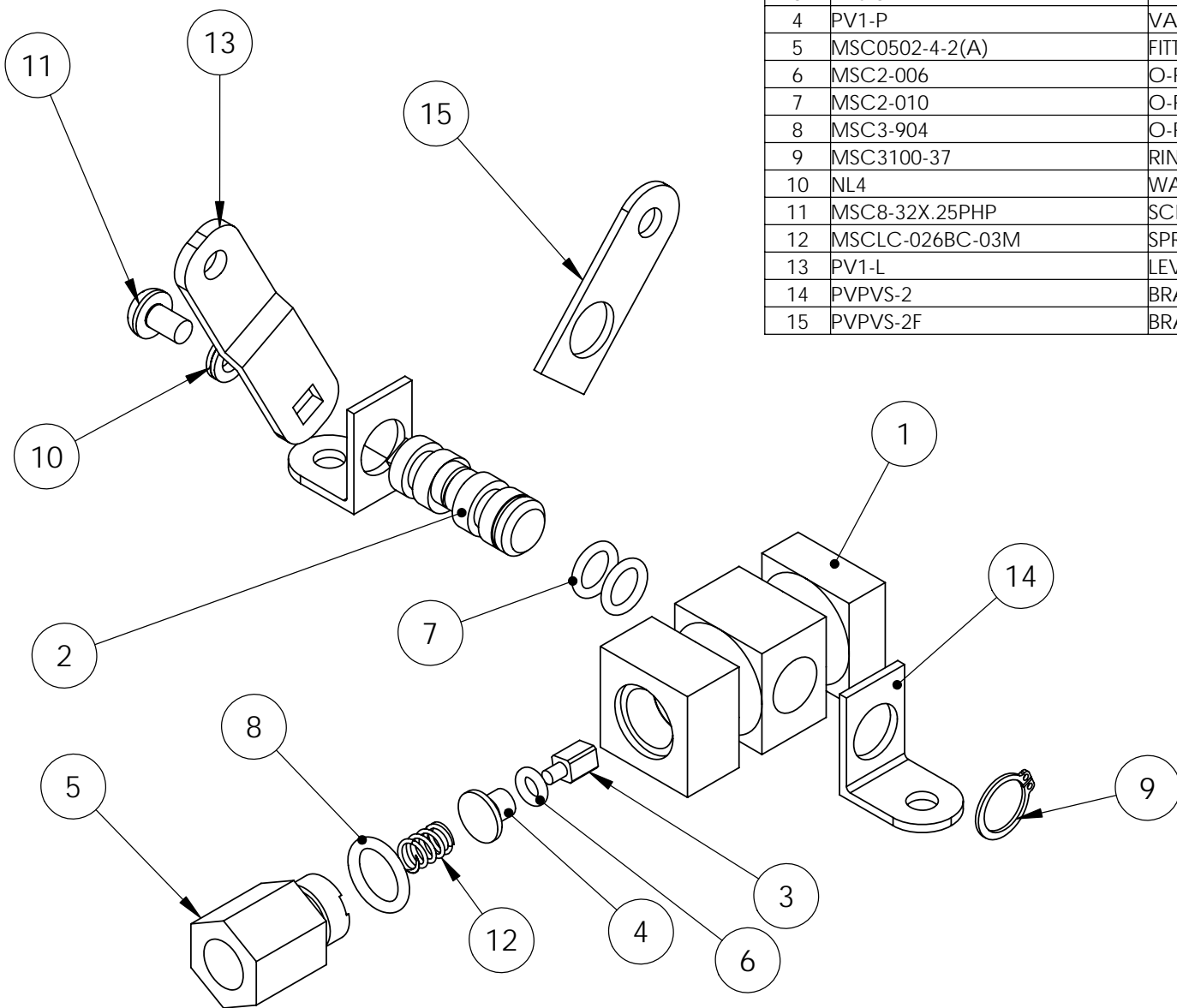



NOTE: #15 may be used in place of either #14 to facilitate flat or flush mount.



ITEM #	Part Number	Description	QTY.
1	PVS-B	BODY, PV-S	1
2	PVS-C	SHAFT, CAM	1
3	PVS-3	PIN, SQR	1
4	PV1-P	VALVE, POPPET	1
5	MSC0502-4-2(A)	FITTING, ADAPTER	1
6	MSC2-006	O-RING, BUNA -N	1
7	MSC2-010	O-RING, BUNA -N	2
8	MSC3-904	O-RING, BUNA -N	1
9	MSC3100-37	RING, SNAP EXTERNAL	1
10	NL4	WASHER SET, NORLOC	1
11	MSC8-32X.25PHP	SCREW, PHILLIPS HEAD	1
12	MSCLC-026BC-03M	SPRING, COMPRESSION	1
13	PV1-L	LEVER, PARK BRAKE	1
14	PVPVS-2	BRACKET, PV MOUNT 90	2
15	PVPVS-2F	BRACKET, PV MOUNT FLAT	1

MATCO mfg 2361 S 1560 West Woods Cross, UT 84087 USA		NOMENCLATURE VALVE, PARK		PART NUMBER PVPV-S		SCALE 1:1		TOLERANCES (EXCEPT AS NOTED)			
		MATERIAL VARIES		DRAWING NO. PARK/3D PVPV-S		REVISION A		Est Wt. (lb) 0.187		DO NOT SCALE DRAWING LINEAR .XX = + .03 .XXX = + .01 ANGULAR ± 1/2 CONCENTRIC ± .01	
DRAWN BY George R. Happ		FINISH		DATE 7/15/2008		CHECKED BY		SHEET 1 OF 1 SHEET SIZE A			