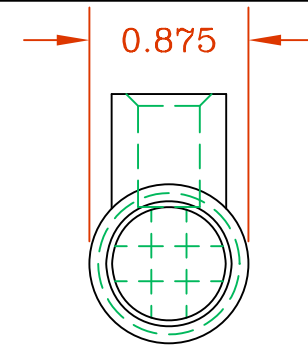


NOTE:

TRAVEL: 1.50 (38.10 mm)



SECTION A-A

