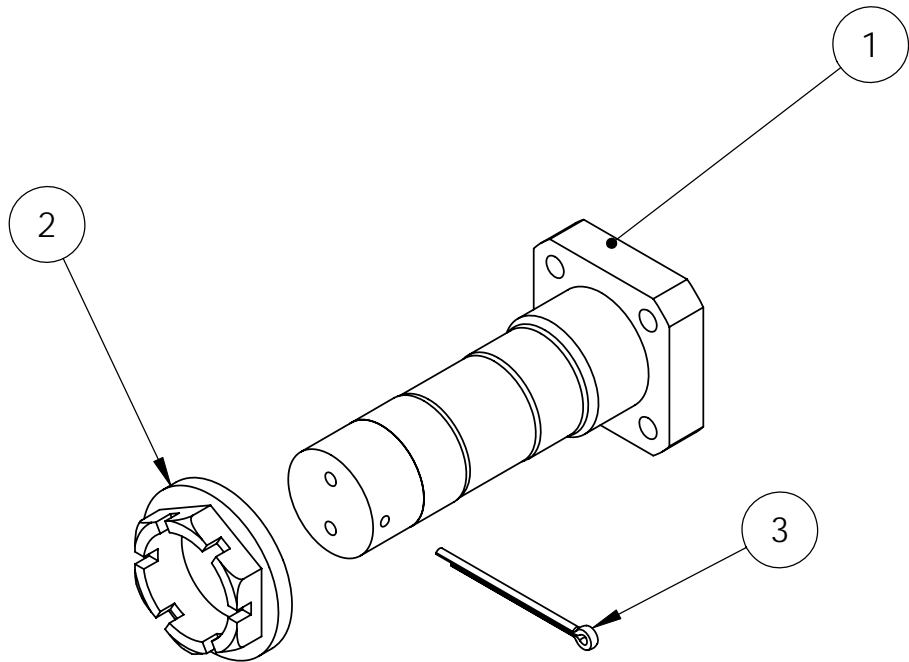


| ITEM # | Part Number | Description | QTY. |
|--------|-------------------|--------------------------|------|
| 1 | WHLA3A | AXLE, A3A | 1 |
| 2 | WHLAN1H | NUT, HEX LOCKING AXLE | 1 |
| 3 | MSC.11x2COTTERPIN | PIN, COTTER ZINC | 1 |



MATCO mfg



2361 S 1560 West
Woods Cross, UT 84087 USA

NOMENCLATURE
ASSEMBLY, AXLE3A

MATERIAL
VARIES

PART NUMBER
WHLAXLE3A

DRAWING NO.
AXLE/WHAXLE3A

SCALE
1:2

REVISION
A

Est Wt. (lb)
0.74

TOLERANCES
(EXCEPT AS NOTED)

DO NOT SCALE DRAWING

LINEAR .XX = + .03
.XXX = + .01

ANGULAR ± 1/2
CONCENTRIC ± .01

DRAWN BY
George R. Happ

FINISH

DATE
10/15/2011

CHECKED BY

SHEET 1 OF 1
SHEET SIZE A