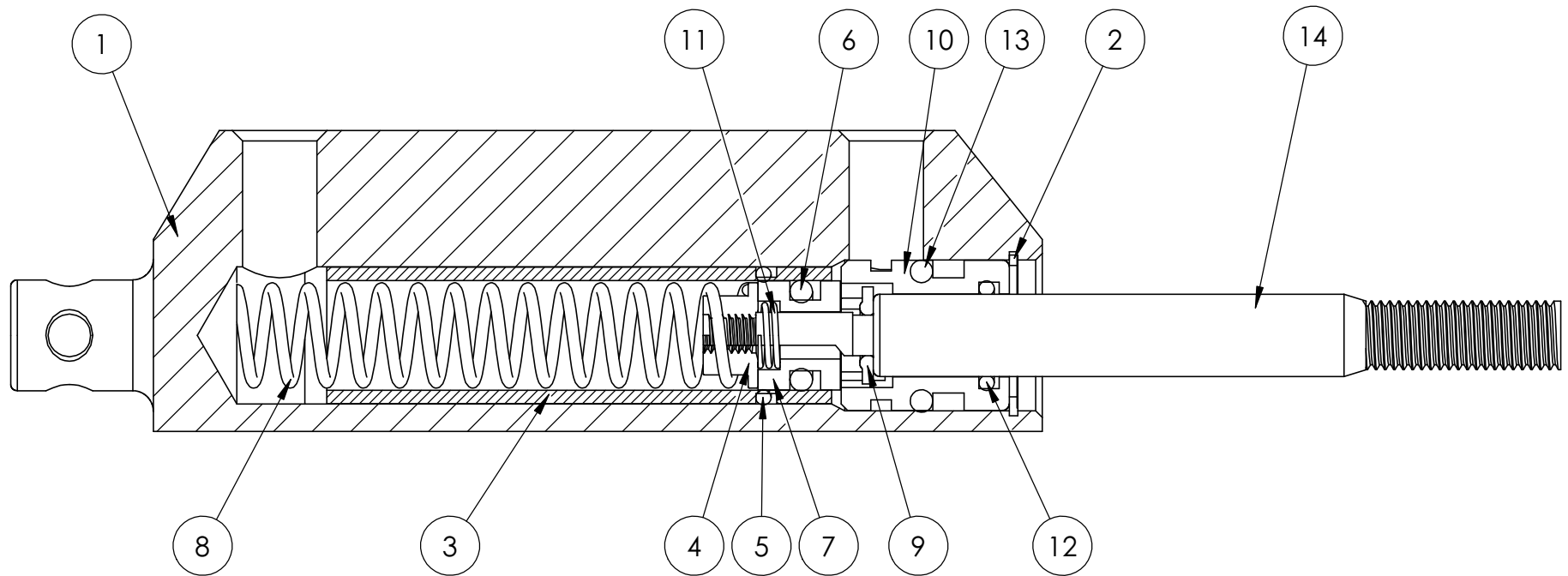


ITEM #	Part Number	Description	QTY.
1	MC4H(A)	HOUSING	1
2	MSC3000-X68	SNAP RING	1
3	MC-19	SLEEVE, INTENSIFIER	1
4	MC-16	SPRING GUIDE	1
5	MSC2-014	O-RING, BUNA -N	1
6	MSC2-109	O-RING, BUNA -N	1
7	MCP.500(B)	PISTON	1
8	0480-055-3000M	SPRING, 3 INCH	1
9	MSC600-0101-10	SEAL, STAT-O	1
10	MC4-2	END GLAND	1
11	C0300-026-0440M	SPRING, VALVE	1
12	MSC2-012	O-RING BUNA N	1
13	MSC2-112	O-RING, BUNA -N	1
14	MC4A-1	SHAFT	1



**MATCO mfg**

2361 S. 1560 West  
Woods Cross, Utah 84087 USA



NOMENCLATURE  
MASTER CYLINDER WITH INTENSIFIER

MATERIAL

PART NUMBER  
MASTER/MC-4-INTENSIFIER

DRAWING NO.  
MASTER/MC-4i INST

SCALE  
4:3

REVISION  
NC

Est Wt. (lb)  
0.26

TOLERANCES  
(EXCEPT AS NOTED)  
DO NOT SCALE DRAWING  
LINEAR .XX = + .03  
.XXX = + .01  
ANGULAR + 1/2  
CONCENTRIC + .01

DRAWN BY  
Sally Christensen

FINISH

DATE  
9/28/2021

CHECKED BY

SHEET 1 OF 1  
SHEET SIZE A