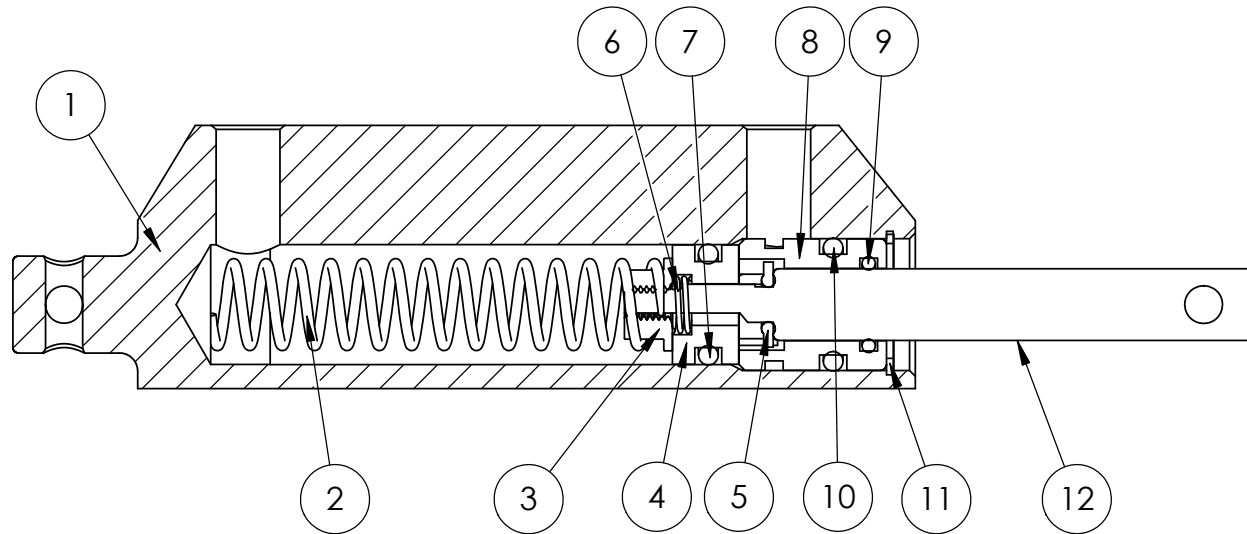
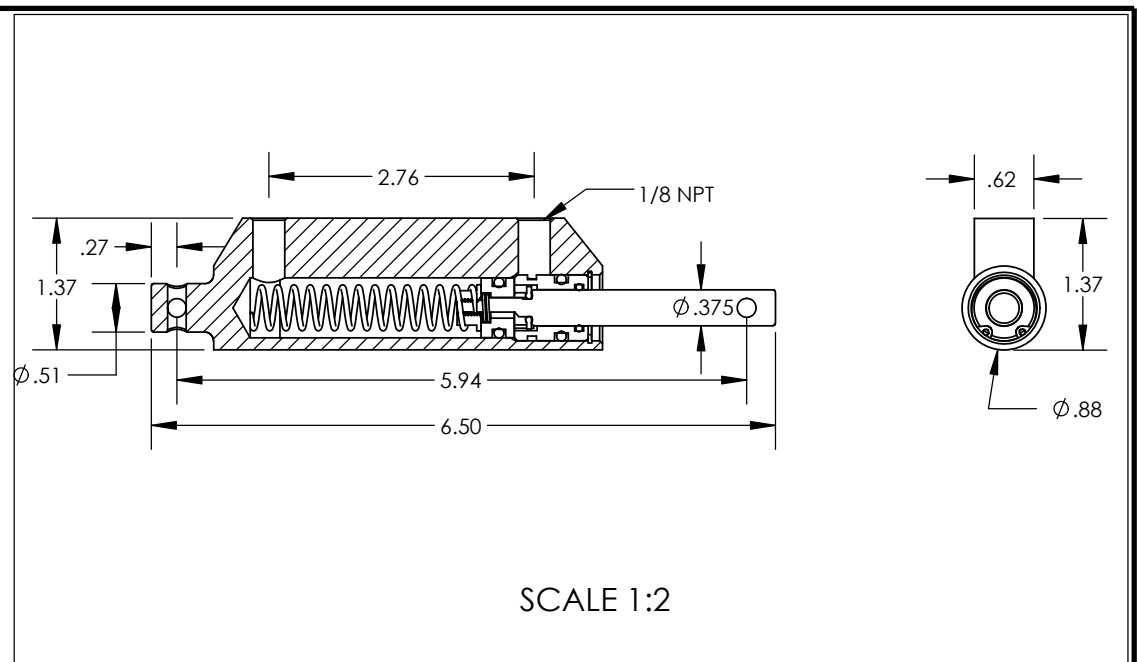


ITEM #	Part Number	Description	MC4(K) HALF VIEW/MC4(K)/QTY.
1	MC4H(A)	HOUSING	1
2	MSCC0480-055-3000M	SPRING, 3 INCH	1
3	MC-16	SPRING GUIDE	1
4	MCP.625(B)	PISTON	1
5	MSC600-0101-10	SEAL, STAT-O	1
6	MSCC0300-026-0440M	SPRING, VALVE	1
7	MSC2-111	O-RING, BUNA -N	1
8	MC4-2	END GLAND	1
9	MSC2-012	O-RING BUNA N	1
10	MSC2-112	O-RING, BUNA -N	1
11	MSC3000-X68	SNAP RING	1
12	MC4-1K	SHAFT	1



**MATCO mfg**

2361 S. 1560 West  
Woods Cross, Utah 84087 USA



NOMENCLATURE  
MASTER/MC-4K

MATERIAL  
VARIES

PART NUMBER  
MC-4K

DRAWING NO.  
MASTER/INST-MC-4K

SCALE  
1:1

REVISION  
NC Est Wt. (lb)  
0.37

TOLERANCES  
(EXCEPT AS NOTED)  
DO NOT SCALE DRAWING  
LINEAR .XX = + .03  
.XXX = + .01  
ANGULAR ± 1/2  
CONCENTRIC ± .01

DRAWN BY  
Sally Christensen

FINISH  
VARIES

DATE  
9/21/2021

CHECKED BY

SHEET 1 OF 1  
SHEET SIZE A