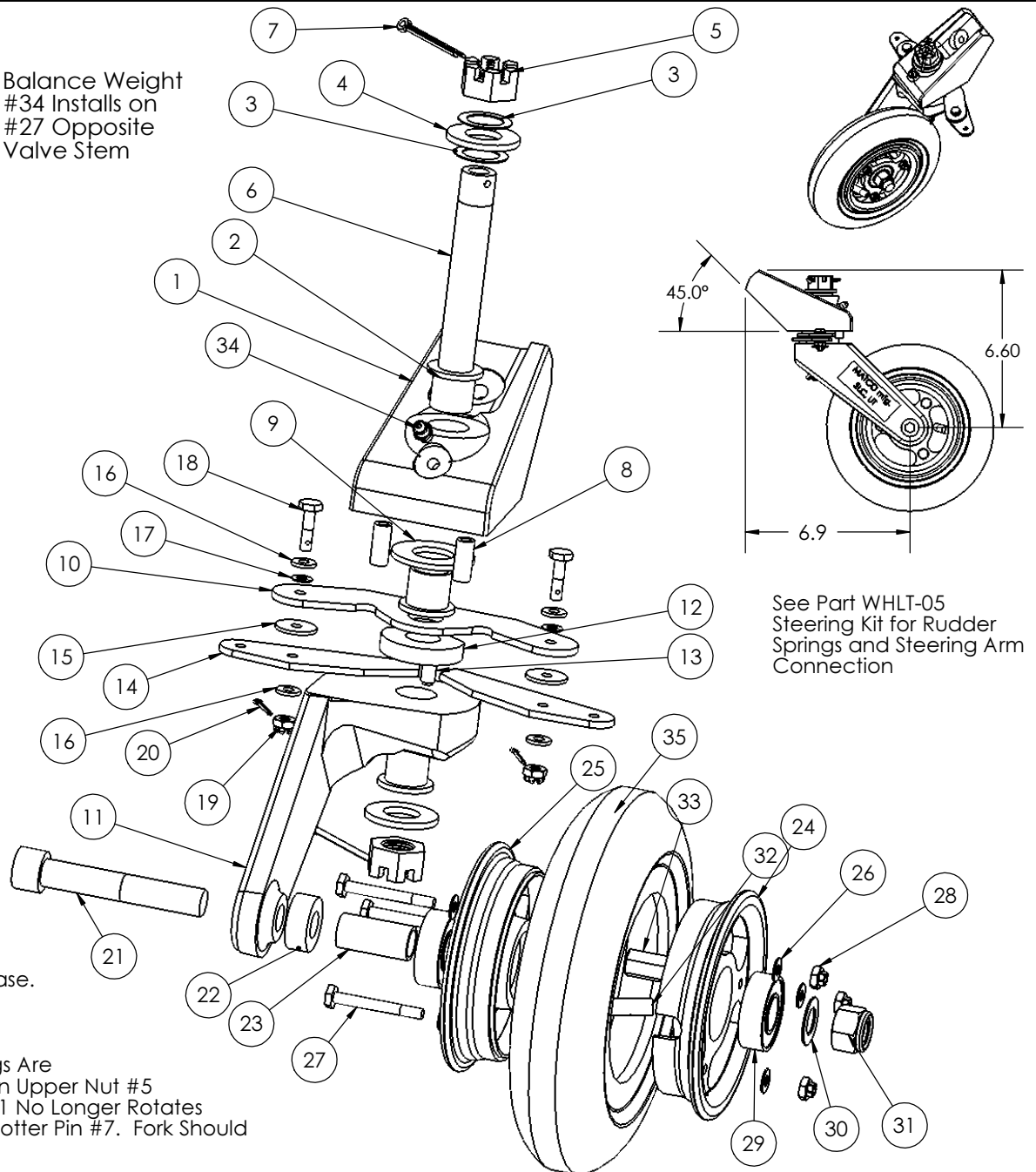


ITEM #	Part Number	Description	QTY.
1	WHLTWBL	BASE, TAIL WHEEL	1
2	WHLTW-19	BUSHING, HAT	3
3	MSCU625-0210	WASHER, CURVED	2
4	MSC.625SAE	WASHER, 5/8	2
5	MSC.62-18HEXNUT/SL	NUT, HEX SLOTTED	2
6	MSC.62-18X4.35(A)	AXLE, VERTICAL TAILWHEEL	1
7	MSC.11x1.5COTTERPI	PIN, COTTER ZINC	2
8	WHLBSP4	SPACER, 4" /UL BRAKE	2
9	WHLTW-4	WASHER, BRONZE	1
10	WHLT-02	ARM, TAIL WHEEL	1
11	WHLTW-6F	FORK, 6" TAIL WHEEL	1
12	WHLTW-21	BUSHING	1
13	MSC.25-20x.50SHCS	BOLT, SHCS .25-20X.50	1
14	WHLT-03	Wing, Tail Wheel	2
15	MSC.750x.190x.062W	WASHER, BRONZE	2
16	MSCAN960-10	WASHER, THICK	4
17	MSCB0375-020	WASHER, BELLEVILLE	2
18	MSCAN3-6	BOLT, HEX DRILLED	2
19	MSCAN310-3	NUT, CASTLE	2
20	MSC.0625X.50COTTER	PIN, COTTER ZINC	2
21	MSC.50-13X3.0SHCS(A)	BOLT, SHCS .50-13x3.0 PLATED	1
22	WHLTW-3	SPACER, TAIL WHEEL	1
23	WHLT6SL	SLEEVE, TAIL T-6P	1
24	WHLW37/.625	WHEL HALF, TAIL VALVE	1
25	WHLTW37/.625	WHEEL HALF, TAIL BACK	1
26	MSCAN960-10L	WASHER, THIN	6
27	MSCAN3-15A	BOLT, HEX	3
28	MSCMS21045-3	NUT, FLEX LOCK	3
29	MSC1623DCTN	Bearing, Ball 0.625	2
30	MSCAN960-816L	WASHER	1
31	MSC.50-13NYLOCK	NUT, NYLOCK	1
32	TIRTU7x1.75	TUBE, 7x1.75	1
33	TW35WGT	WEIGHT, BALANCE	2
34	MSCMC7-4	FITTING, GREASE	1
35	TIRT7x1.75	TIRE, 7x1.75	1

Balance Weight #34 Installs on #27 Opposite Valve Stem



See Part WHLT-05 Steering Kit for Rudder Springs and Steering Arm Connection

Note: Alternate Wing Available to Provide Earlier Steering Release.
 Release with Standard WHLT-03 = +/- 45 Deg
 Release with Optional WHLT-03A = +/- 25 Deg (May be Hand Ground to Release from 25 to 50 Deg)

TO SET PRELOAD IN VERTICAL AXLE #6: Be certain #3 Springs Are Installed. Seat Lower Nut #5 Fully & Insert Cotter Pin #7. Tighten Upper Nut #5 Slowly Until All Freeplay of Springs #3 are removed and Fork #11 No Longer Rotates Freely. Loosen Upper Nut #5 2-3 Locking Features and Install Cotter Pin #7. Fork Should Rotate Freely Around Complete Rotation.

MATCO mfg



2361 S 1560 WEST
WOODS CROSS, UT 84087

NOMENCLATURE
TAIL WHEEL, 7" PNEUMATIC

PART NUMBER
WHLT-7P

SCALE
1:4

TOLERANCES
(EXCEPT AS NOTED)
DO NOT SCALE DRAWING
LINEAR .XX = + .03
.XXX = + .01
ANGULAR + 1/2
CONCENTRIC + .01

DRAWN BY
George R. Happ

FINISH
VARIES

DATE
6/15/2015

DRAWING NO.
TAIL/3D-T7P

CHECKED BY

REVISION
A

Est Wt. (lb)
5.19

SHEET 1 OF 1
SHEET SIZE A