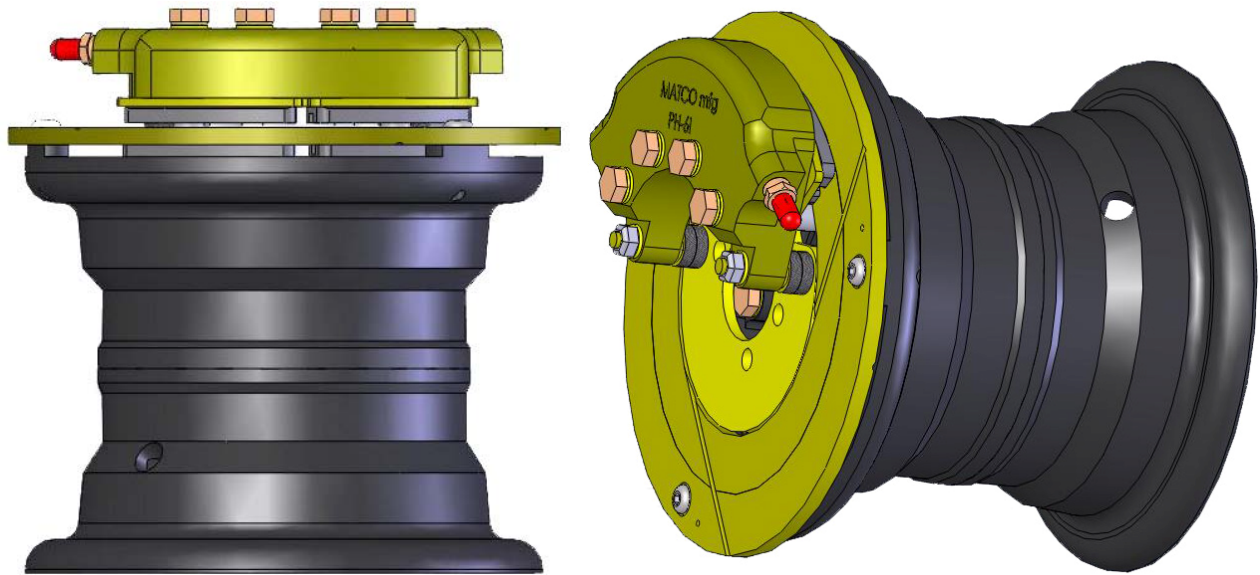




2361 S. 1560 West
Woods Cross, UT 84087
801-335-0582
801-335-0351 (F)

NEW PRODUCT RELEASE

WHLWI600XLT-2 MAIN WHEEL AND BRAKE FOR RV-10



MATCO mfg announced the availability of the WHLWI600XLT-2 which is specifically configured for installation on the stock RV-10 gear leg and axle. The WHLWI600 wheel and brake models use the newest I Series configured caliper. This brake system provides easy brake maintenance, four thick brake pads for longer service life, and a triple piston caliper for increased brake torque. Additionally, the brake disc provides higher energy capacity for demanding stop and rejected take-off performance without brake fade eliminating problems associated with poor steering from overheated brakes.

The addition of the custom axle spacers specific to the RV-10 installation, part number WHLARV10SL, and the axle nut washer MSCTRA1.5 simplifies installation. The wheel and brake with the axle spacer and washer is available for only \$440.95 per side.

Check Our Website for more details at:

www.matcomfg.com/WHLBRKWI600RV10CONFIG-idv-3814-4.html

Questions regarding this release can be referred to the technical support department of MATCO mfg at 2361 S. 1560 West, Woods Cross, UT 84087, by email to tech@matcomfg.com, or at (801) 335-0582.